

SAFETY POSITION SWITCH WITH SEPERATE ACTUATOR
 MOLDED-PLASTIC ENCLOSURE LATERAL AND FRONTAL
 SLOW-ACTION CONTACTS, 1NO+2NC, 3X(M20X1.5)
 EXTRACTION FORCE 5N DELIVERY WITHOUT ACTUATOR



Figure similar

| | |
|--|------------------------------------|
| Product designation | safety position switch |
| General technical data | |
| Protection class IP | IP67 |
| Equipment marking | |
| <ul style="list-style-type: none"> • acc. to DIN EN 61346-2 • acc. to DIN EN 81346-2 | B B |
| Active principle | mechanical |
| Enclosure | |
| Design of the housing | wide |
| Material of the enclosure | glass fiber reinforced thermoplast |
| Coating of the enclosure | Other types |
| Design of the housing acc. to standard | No |
| Drive Head | |
| Design of the operating mechanism | without |
| Design of the switching function | positive opening |
| Connections/Terminals | |

Type of electrical connection screw-type terminals

Communication/ Protocol

Design of the interface without

Ambient conditions

Ambient temperature
• during operation -30 ... +85 °C

Installation/ mounting/ dimensions

Mounting type screw fixing

Certificates/approvals

| | | |
|--------------------------|---------------------------|-------------------|
| General Product Approval | Declaration of Conformity | Shipping Approval |
|--------------------------|---------------------------|-------------------|



| | |
|-------------------|-------|
| Shipping Approval | other |
|-------------------|-------|



[Confirmation](#)

[Miscellaneous](#)

Further information

Information- and Downloadcenter (Catalogs, Brochures,...)

<http://www.siemens.com/industrial-controls/catalogs>

Industry Mall (Online ordering system)

<https://mall.industry.siemens.com/mall/en/en/Catalog/product?mlfb=3SE2243-0XX40>

Cax online generator

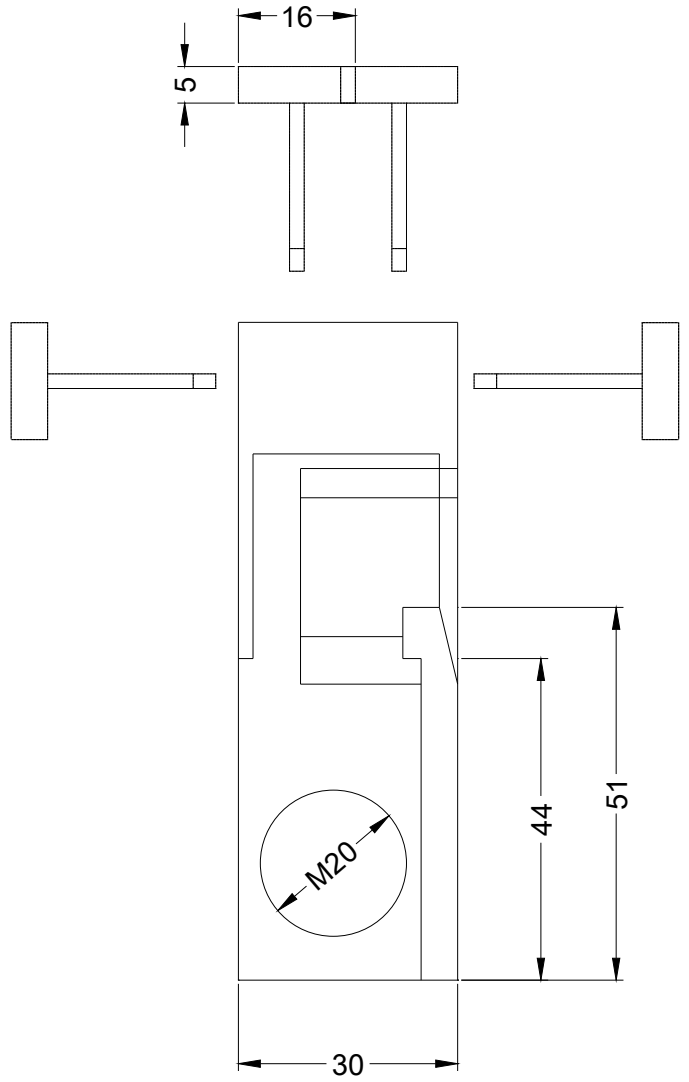
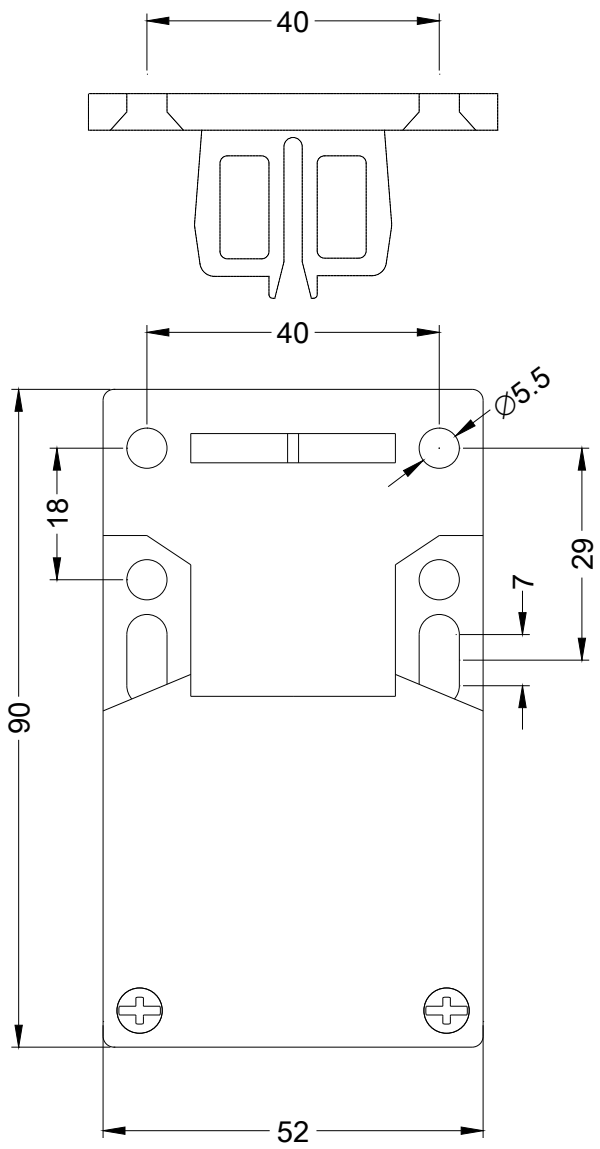
<http://support.automation.siemens.com/WW/CAXorder/default.aspx?lang=en&mlfb=3SE2243-0XX40>

Service&Support (Manuals, Certificates, Characteristics, FAQs,...)

<https://support.industry.siemens.com/cs/ww/en/ps/3SE2243-0XX40>

Image database (product images, 2D dimension drawings, 3D models, device circuit diagrams, EPLAN macros, ...)

http://www.automation.siemens.com/bilddb/cax_de.aspx?mlfb=3SE2243-0XX40&lang=en



last modified:

07/01/2017