

SAFETY POSITION SWITCH WITH SEPERATE ACTUATOR
 MOLDED-PLASTIC ENCLOSURE LATERAL AND FRONTAL
 SLOW-ACTION CONTACTS, 1NO+2NC, 3X(M20X1.5)
 EXTRACTION FORCE 30N DELIVERY WITHOUT ACTUATOR



Figure similar

Product designation	safety position switch
General technical data	
Protection class IP	IP67
Equipment marking	
<ul style="list-style-type: none"> • acc. to DIN EN 61346-2 • acc. to DIN EN 81346-2 	B B
Active principle	mechanical
Enclosure	
Design of the housing	wide
Material of the enclosure	glass fiber reinforced thermoplast
Coating of the enclosure	Other types
Design of the housing acc. to standard	No
Drive Head	
Design of the operating mechanism	without
Design of the switching function	positive opening
Connections/Terminals	

Type of electrical connection screw-type terminals

Communication/ Protocol

Design of the interface without

Ambient conditions

Ambient temperature
• during operation -30 ... +85 °C

Installation/ mounting/ dimensions

Mounting type screw fixing

Certificates/approvals

General Product Approval	Declaration of Conformity	Shipping Approval
--------------------------	---------------------------	-------------------



Shipping Approval	other
-------------------	-------



[Miscellaneous](#)

[Confirmation](#)

Further information

Information- and Downloadcenter (Catalogs, Brochures,...)

<http://www.siemens.com/industrial-controls/catalogs>

Industry Mall (Online ordering system)

<https://mall.industry.siemens.com/mall/en/en/Catalog/product?mlfb=3SE2243-0XX>

Cax online generator

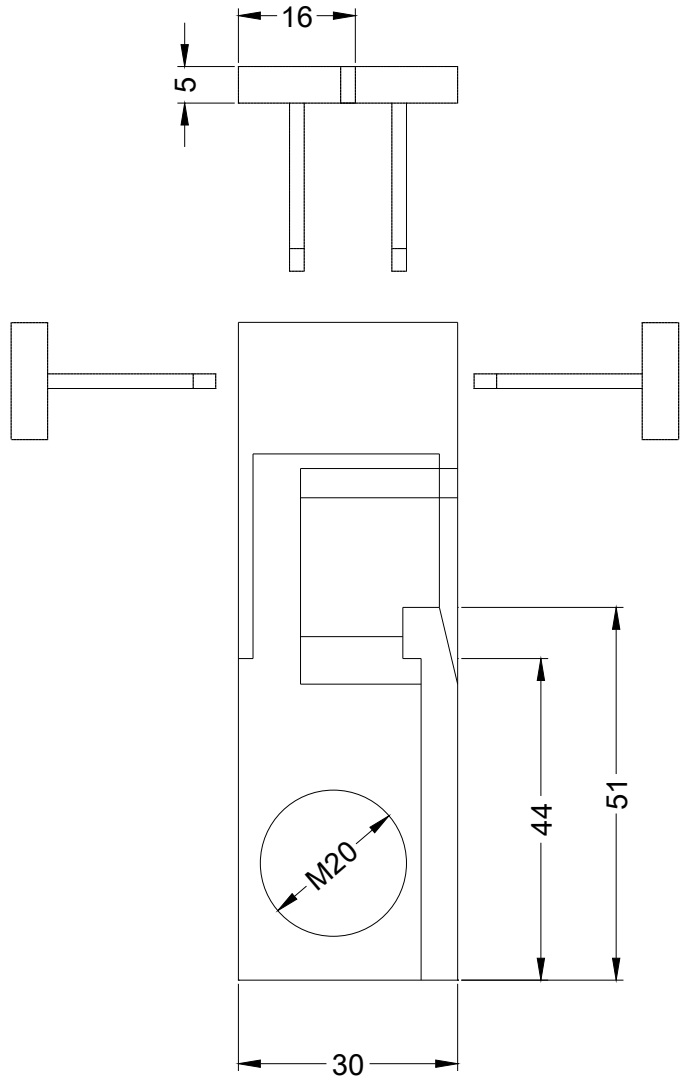
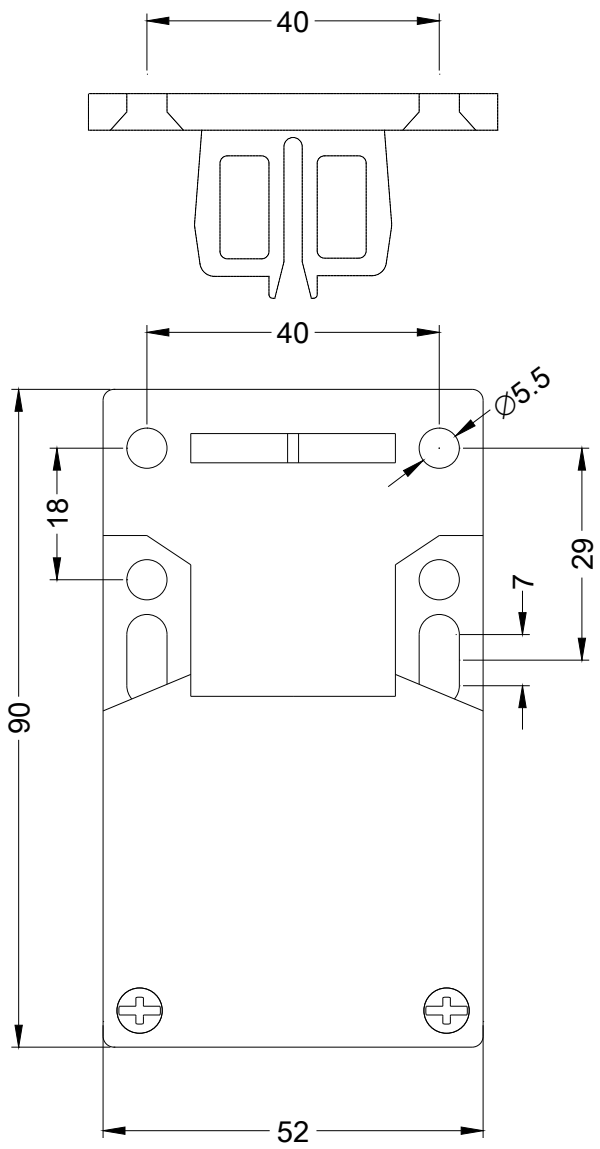
<http://support.automation.siemens.com/WW/CAXorder/default.aspx?lang=en&mlfb=3SE2243-0XX>

Service&Support (Manuals, Certificates, Characteristics, FAQs,...)

<https://support.industry.siemens.com/cs/ww/en/ps/3SE2243-0XX>

Image database (product images, 2D dimension drawings, 3D models, device circuit diagrams, EPLAN macros, ...)

http://www.automation.siemens.com/bilddb/cax_de.aspx?mlfb=3SE2243-0XX&lang=en



last modified:

07/01/2017