




FRONT BUS CONNECTORS 3 PCS. ACCESSORY FOR: 3VA1
100/160



Model	
Product brand name	SENTRON
Product designation	accessories

Certificates				
General Product Approval	EMC	Declaration of Conformity	Test Certificates	other
	 RCM	 EG-Konf.	Type Test Certificates/Test Report	Miscellaneous

Further information
Information- and Downloadcenter (Catalogs, Brochures,...) http://www.siemens.com/lowvoltage/catalogs
Industry Mall (Online ordering system) https://mall.industry.siemens.com/mall/en/en/Catalog/product?mlfb=3VA9153-0QB00
Service&Support (Manuals, Certificates, Characteristics, FAQs,...) https://support.industry.siemens.com/cs/ww/en/ps/3VA9153-0QB00

Image database (product images, 2D dimension drawings, 3D models, device circuit diagrams, ...)

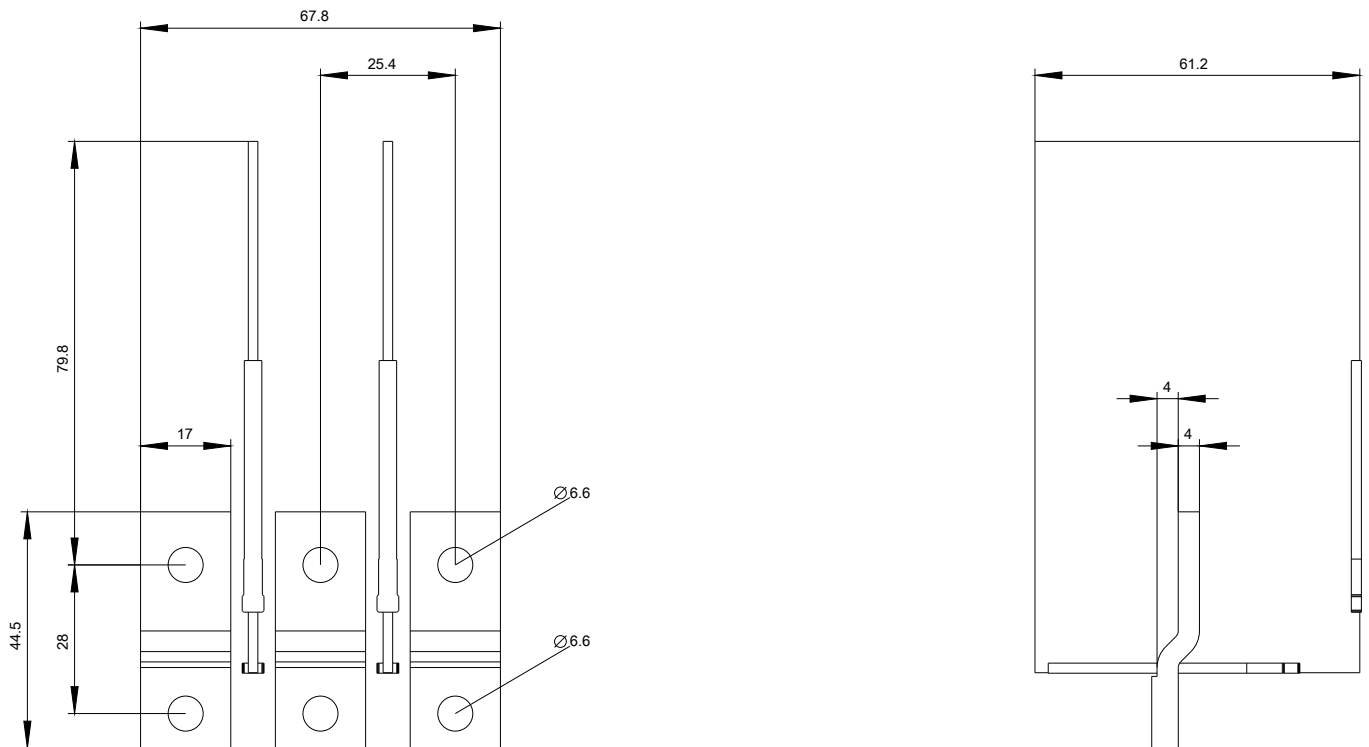
http://www.automation.siemens.com/bilddb/cax_en.aspx?mlfb=3VA9153-0QB00

CAX-Online-Generator

<http://www.siemens.com/cax>

Tender specifications

<http://www.siemens.com/specifications>



last modified:

06/27/2017