

SURGE SUPPRESSOR, VARISTOR WITH LED,
127...240V AC, 70...150V DC, FOR CONTACTORS
SIZE S2, S3

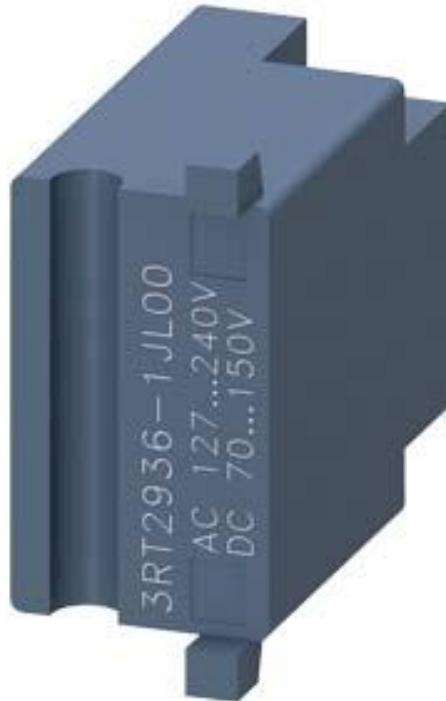


Figure similar

General technical data:		
product brandname		SIRIUS
Product designation		surge suppressor
Size of contactor		S2
Design of the surge suppressor		Varistor with LED
Ambient temperature		
• during storage	°C	-40 ... +80
• during operation	°C	-25 ... +60
Control circuit/ Control:		
Type of voltage of the control supply voltage		AC/DC
Control supply voltage frequency		
• 1 rated value	Hz	50
• 2 rated value	Hz	60
Control supply voltage 1		
• at DC		
— Initial rated value	V	70
— Final rated value	V	150

- at AC
 - at 50 Hz Initial rated value
 - at 50 Hz Final rated value
 - at 60 Hz Final rated value
 - at 60 Hz Initial rated value

V	127
V	240
V	240
V	127



Installation/ mounting/ dimensions:

Mounting position		any
Mounting type		clip-on
Width	mm	30
Height	mm	30
Depth	mm	14.5

Certificates/ approvals:

Certificate of suitability	CE / UL / CSA / CCC		
----------------------------	---------------------	--	--

General Product Approval	Declaration of Conformity	Test Certificates	Shipping Approval
 CSA	 UR		 EG-Konf.
		Type Test Certificates/Test Report	 ABS

Shipping Approval	other		
 BUREAU VERITAS	 GL	 LRS	 RMRS
		Environmental Confirmations	Confirmation

Further information

Information- and Downloadcenter (Catalogs, Brochures,...)

<http://www.siemens.com/industrial-controls/catalogs>

Industry Mall (Online ordering system)

<http://www.siemens.com/industrymall>

Cax online generator

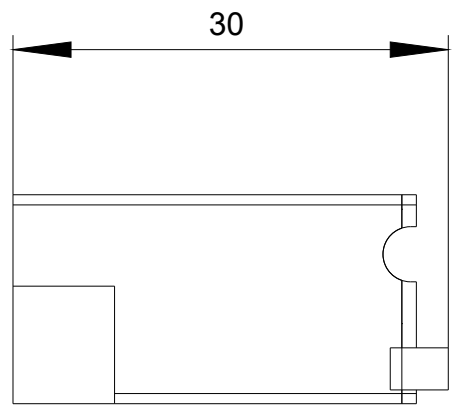
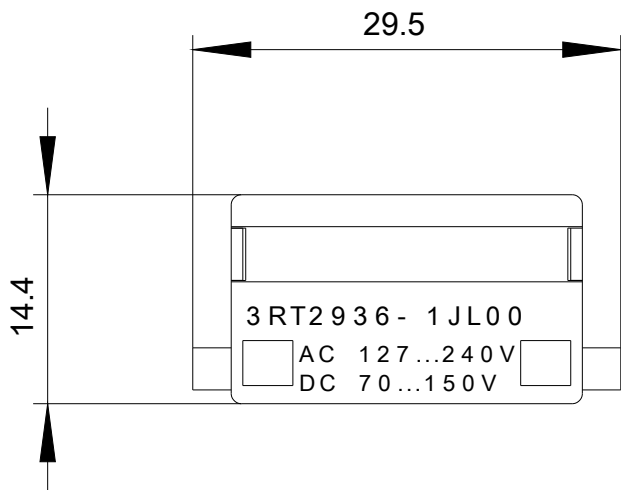
<http://support.automation.siemens.com/WW/CAXorder/default.aspx?lang=en&mlfb=3RT2936-1JL00>

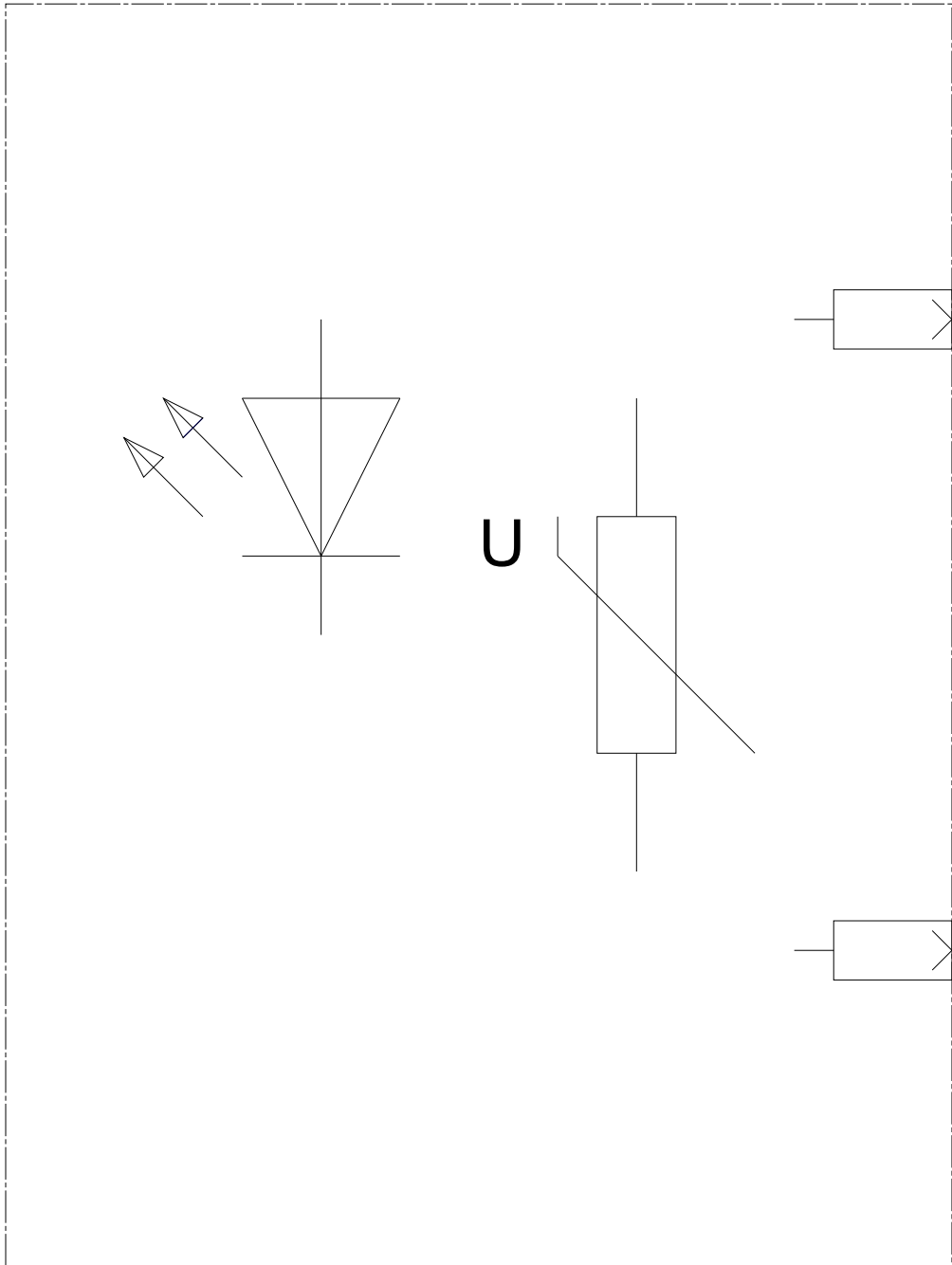
Service&Support (Manuals, Certificates, Characteristics, FAQs,...)

<https://support.industry.siemens.com/cs/ww/en/ps/3RT2936-1JL00>

Image database (product images, 2D dimension drawings, 3D models, device circuit diagrams, EPLAN macros, ...)

http://www.automation.siemens.com/bilddb/cax_de.aspx?mlfb=3RT2936-1JL00&lang=en





last modified:

06/09/2017