

SIRIUS POSITION SWITCH METAL ENCLOSURE 56MM WIDE
 DEVICE CONNECTION 3X (M20X1.5) 1NO/1NC SLOW-ACTION
 CONTACTS ROLLER PLUNGER WITH STAINLESS STEEL
 ROLLER 13MM



Product designation	standard position switch
Manufacturer's article number	
<ul style="list-style-type: none"> • of the supplied basic switch 	3SE5122-0BA00
<ul style="list-style-type: none"> • of the supplied actuator head for position switches 	3SE5000-0AD02
<ul style="list-style-type: none"> • of the supplied switching contacts 	3SE5000-0BA00
<ul style="list-style-type: none"> • of the supplied empty enclosure with cover 	3SE5122-0AA00

General technical data	
Product function	
<ul style="list-style-type: none"> • positive opening 	Yes
Insulation voltage	
<ul style="list-style-type: none"> • rated value 	400 V
Degree of pollution	class 3
Surge voltage resistance rated value	6 kV
Protection class IP	IP66/IP67
Shock resistance	
<ul style="list-style-type: none"> • acc. to IEC 60068-2-27 	30 g / 11 ms
Vibration resistance	
<ul style="list-style-type: none"> • acc. to IEC 60068-2-6 	0.35 mm/5g

Mechanical service life (switching cycles)	
• typical	15 000 000
Electrical endurance (switching cycles)	
• at AC-15 at 230 V typical	100 000
Electrical endurance (switching cycles) with contactor 3RH11, 3RT1016, 3RT1017, 3RT1024, 3RT1025, 3RT1026 typical	10 000 000
Electrical operating cycles in one hour with contactor 3RH11, 3RT1016, 3RT1017, 3RT1024, 3RT1025, 3RT1026	6 000
Thermal current	10 A
Equipment marking	
• acc. to DIN EN 61346-2	B
• acc. to DIN EN 81346-2	B
Continuous current of the C characteristic MCB	1 A; for a short-circuit current smaller than 400 A
Continuous current of the quick DIAZED fuse link	10 A; for a short-circuit current smaller than 400 A
Continuous current of the DIAZED fuse link gG	6 A
Active principle	mechanical
Repeat accuracy	0.05 mm
Minimum actuating force in activation direction	20 N
Operating current at AC-15	
• at 24 V rated value	6 A
• at 125 V rated value	6 A
• at 230 V rated value	3 A
Operating current at DC-13	
• at 24 V rated value	3 A
• at 125 V rated value	0.55 A
• at 230 V rated value	0.27 A

Enclosure	
Design of the housing	block, wide
Material of the enclosure	metal
Coating of the enclosure	cathodic immersion coating
Design of the housing acc. to standard	No

Drive Head	
Design of the operating mechanism	Roller plunger, high-grade steel roller
Standard-compliant actuator head	EN 50041, design C
Shape of the switch head	roller
Design of the switching function	positive opening

Connections/Terminals	
Type of electrical connection	screw-type terminals
Type of connectable conductor cross-sections	
• solid	1x (0.5 ... 1.5 mm ²), 2x (0.5 ... 0.75 mm ²)

- finely stranded with core end processing
- at AWG conductors solid
- at AWG conductors stranded

1x (0.5 ... 1.5 mm²), 2x (0.5 ... 0.75 mm²)
 1x (20 ... 16), 2x (20 ... 18)
 1x (20 ... 16), 2x (20 ... 18)

Mechanical data

Cable entry type 3 x (M20 x 1.5)

Communication/ Protocol

Design of the interface without

Ambient conditions

Ambient temperature

- during operation -25 ... +85 °C
- during storage -40 ... +90 °C

Installation/ mounting/ dimensions

Mounting position any

Mounting type screw fixing

Certificates/approvals

General Product Approval

Functional Safety/Safety of Machinery

Declaration of Conformity



CCC



CSA



UL



[Baumusterprüfbescheinigung](#)



EG-Konf.

Test Certificates

other

[spezielle Prüfbescheinigung](#)
[n](#)

[Bestätigungen](#)

Further information

Information- and Downloadcenter (Catalogs, Brochures,...)

<http://www.siemens.com/industrial-controls/catalogs>

Industry Mall (Online ordering system)

<https://mall.industry.siemens.com/mall/en/en/Catalog/product?mlfb=3SE5122-0BD02>

Cax online generator

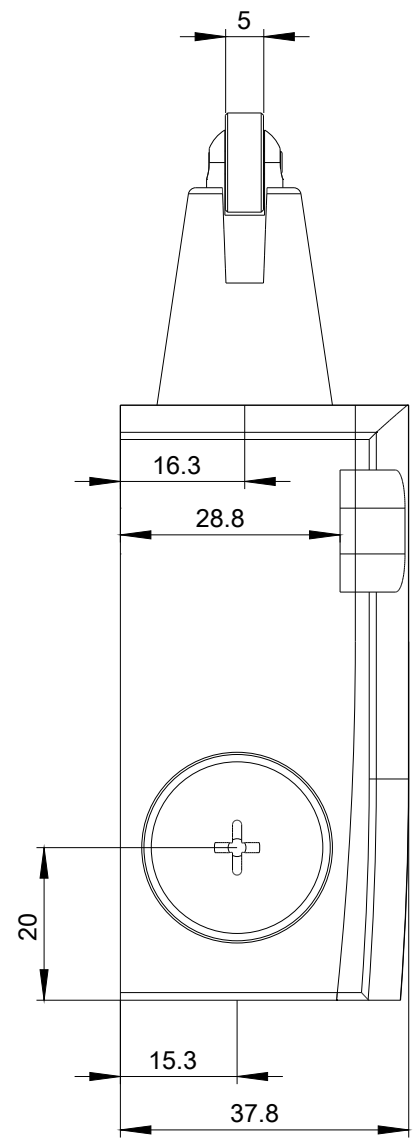
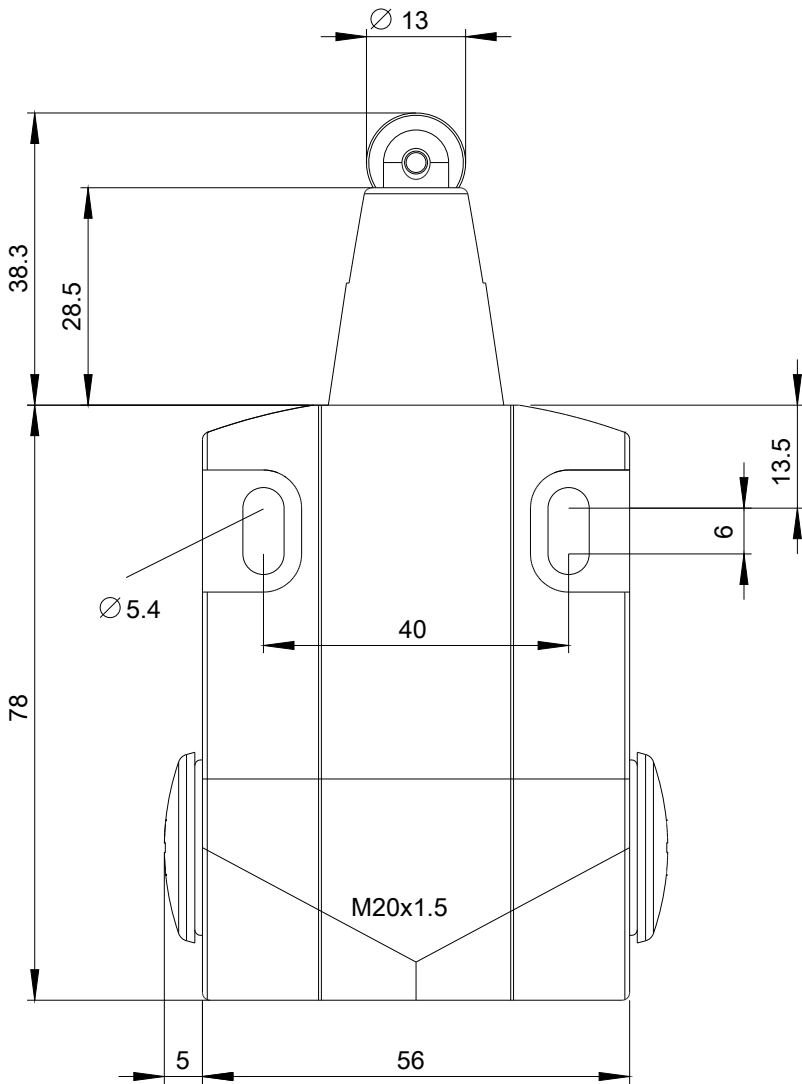
<http://support.automation.siemens.com/WW/CAXorder/default.aspx?lang=en&mlfb=3SE5122-0BD02>

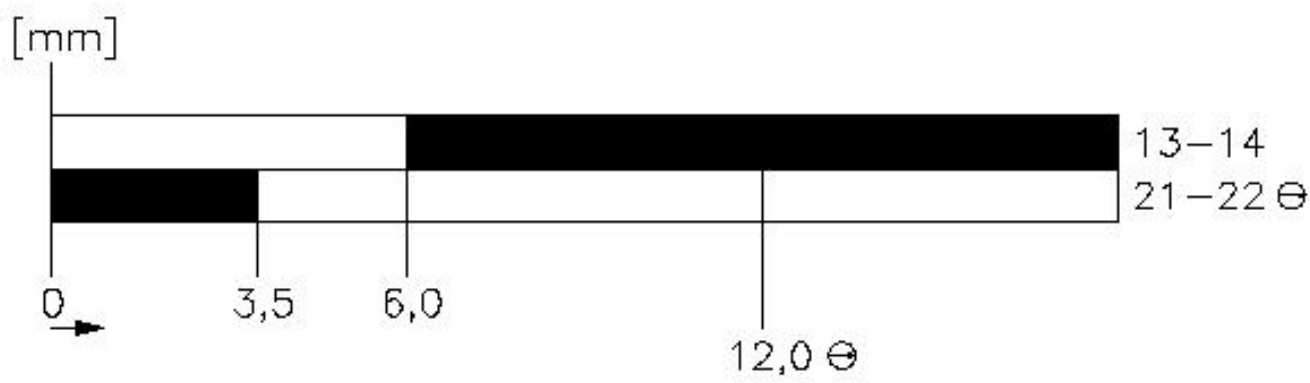
Service&Support (Manuals, Certificates, Characteristics, FAQs,...)

<https://support.industry.siemens.com/cs/ww/en/ps/3SE5122-0BD02>

Image database (product images, 2D dimension drawings, 3D models, device circuit diagrams, EPLAN macros, ...)

http://www.automation.siemens.com/bilddb/cax_de.aspx?mlfb=3SE5122-0BD02&lang=en





last modified:

05/31/2017