

ACTUATOR HEAD FOR POSITION SWITCH 3SE51/52 ROLLER PLUNGER, FORM C, WITH STAINLESS STEEL ROLLER 13 MM, TO EN 50041, WITH 3MM OVERTRAVEL



<b>Product designation</b>	actuator head for position switch
<b>Manufacturer's article number</b>	
<ul style="list-style-type: none"> <li>of the supplied actuator head for position switches</li> </ul>	<a href="#">3SE5000-0AD02</a>
<b>General technical data</b>	
<b>Product function</b>	
<ul style="list-style-type: none"> <li>positive opening</li> </ul>	Yes
<b>Shock resistance</b>	
<ul style="list-style-type: none"> <li>acc. to IEC 60068-2-27</li> </ul>	30 g / 11 ms
<b>Vibration resistance</b>	
<ul style="list-style-type: none"> <li>acc. to IEC 60068-2-6</li> </ul>	0.35 mm/5g
<b>Mechanical service life (switching cycles)</b>	
<ul style="list-style-type: none"> <li>typical</li> </ul>	15 000 000
<b>Equipment marking</b>	
<ul style="list-style-type: none"> <li>acc. to DIN EN 61346-2</li> </ul>	T
<ul style="list-style-type: none"> <li>acc. to DIN EN 81346-2</li> </ul>	T
<b>Active principle</b>	mechanical
<b>Minimum actuating force in activation direction</b>	20 N

## Enclosure

Coating of the enclosure	Other types
--------------------------	-------------

## Drive Head

Design of the operating mechanism	Roller plunger, high-grade steel roller
Standard-compliant actuator head	EN 50041, design C
Shape of the switch head	roller
Outer diameter of the switch head	13 mm

## Communication/ Protocol

Design of the interface	without
-------------------------	---------





## Ambient conditions

<b>Ambient temperature</b>	
• during operation	-25 ... +85 °C
• during storage	-40 ... +90 °C

## Installation/ mounting/ dimensions

Mounting position	any
Mounting type	lockable plug-in fixing

## Certificates/approvals

General Product Approval	Declaration of Conformity	Test Certificates	other		
 CSA	 UR		 EG-Konf.	<a href="#">spezielle Prüfbescheinigungen</a> <a href="#">n</a>	<a href="#">Bestätigungen</a>

## Further information

### Information- and Downloadcenter (Catalogs, Brochures,...)

<http://www.siemens.com/industrial-controls/catalogs>

### Industry Mall (Online ordering system)

<https://mall.industry.siemens.com/mall/en/en/Catalog/product?mlfb=3SE5000-0AD02>

### Cax online generator

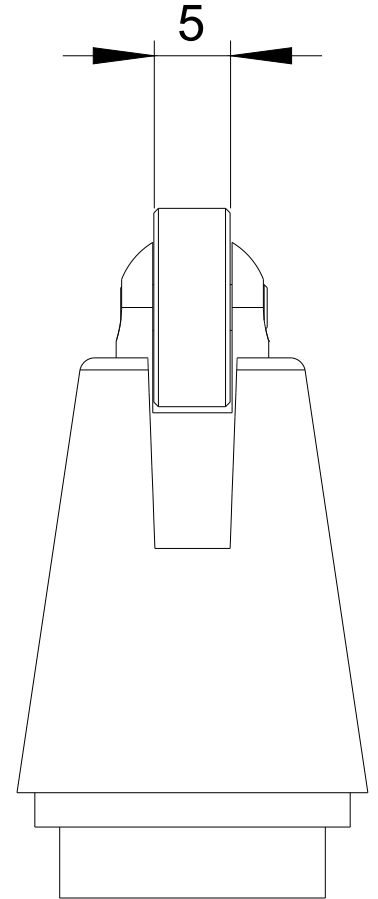
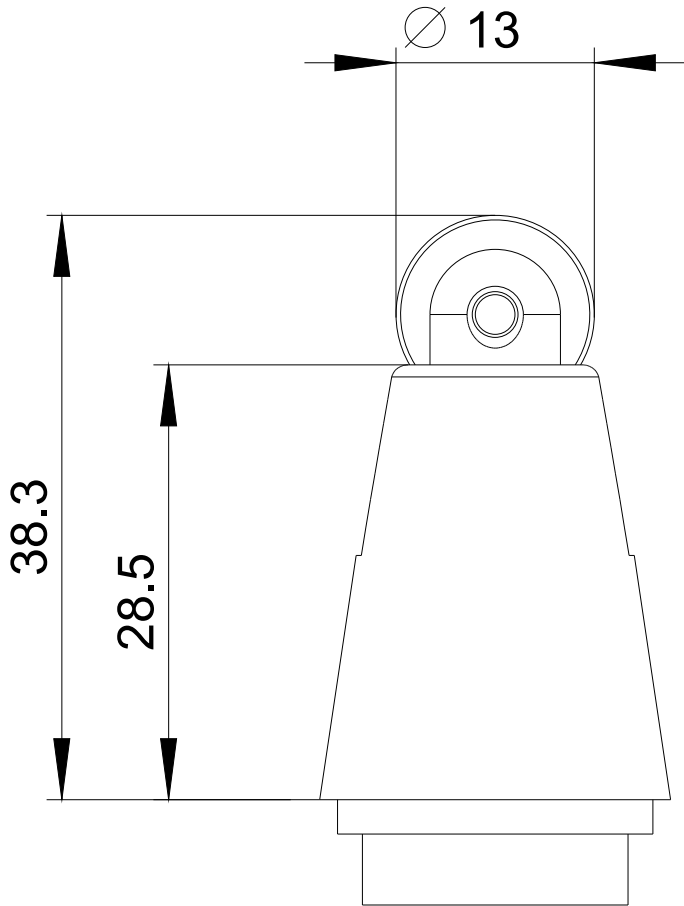
<http://support.automation.siemens.com/WW/CAXorder/default.aspx?lang=en&mlfb=3SE5000-0AD02>

### Service&Support (Manuals, Certificates, Characteristics, FAQs,...)

<https://support.industry.siemens.com/cs/ww/en/ps/3SE5000-0AD02>

### Image database (product images, 2D dimension drawings, 3D models, device circuit diagrams, EPLAN macros, ...)

[http://www.automation.siemens.com/bilddb/cax\\_de.aspx?mlfb=3SE5000-0AD02&lang=en](http://www.automation.siemens.com/bilddb/cax_de.aspx?mlfb=3SE5000-0AD02&lang=en)



last modified:

05/31/2017