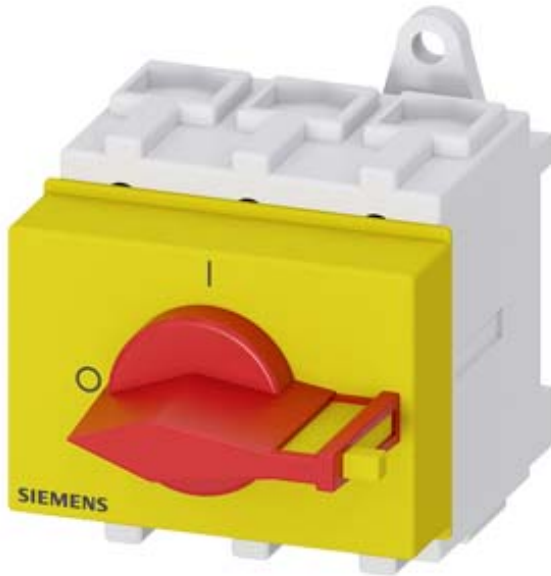


SENTRON, 3LD switch disconnecter, EMERGENCY-STOP switch, 3-pole, Iu:63 A, Operational power / at AC-23 A at 400 V: 22 kW, Distribution board mounting, knob-operated mechanism, red/yellow, handle directly on switch



Model	
product brandname	SENTRON
Product designation	3LD switch disconnecter
Design of the product	EMERGENCY-STOP switch
Design of the operating mechanism	selector switch
Type of the driving mechanism / motor drive	No
General technical data	
Number of poles	3
Type of device	fixed mounting
Operating frequency / maximum	50 1/h
Voltage	
Insulation voltage / rated value	690 V
Surge voltage resistance / rated value	6 kV
Protection class	
Protection class IP	IP44
Protection class IP / on the front	IP44
Dissipation	

Power loss [W]	
<ul style="list-style-type: none"> • for rated value of the current / at AC / in hot operating state / per pole 	4.5 W
Electricity	
Continuous current / rated value	63 A
Short-time current resistance (I _{cw}) / at 690 V / limited to 1 s / rated value	1 260 A
Main circuit	
Operating frequency	
<ul style="list-style-type: none"> • initial value 	50 Hz
<ul style="list-style-type: none"> • Full-scale value 	60 Hz
Operating power	
<ul style="list-style-type: none"> • at AC-23 A / at 400 V / rated value 	22 kW
<ul style="list-style-type: none"> • at AC-23 A / at 690 V / rated value 	18.5 kW
<ul style="list-style-type: none"> • at AC-3 / at 400 V / rated value 	18.5 kW
<ul style="list-style-type: none"> • at AC-3 / at 690 V / rated value 	15 kW
Operating voltage	
<ul style="list-style-type: none"> • at AC / at 50/60 Hz / rated value 	690 V
Auxiliary circuit	
Operating voltage / of auxiliary contacts / at AC / maximum	500 V
Continuous current / of the auxiliary contact / rated value	10 A
Insulation voltage / of the auxiliary switch / rated value	500 V
Suitability	
Suitability for use	
<ul style="list-style-type: none"> • Main switch 	Yes
<ul style="list-style-type: none"> • switch disconnecter 	Yes
<ul style="list-style-type: none"> • EMERGENCY OFF switch 	Yes
<ul style="list-style-type: none"> • safety switch 	Yes
<ul style="list-style-type: none"> • maintenance/repair switch 	Yes
Product details	
Product feature / interlock	Yes
Product extension / optional	
<ul style="list-style-type: none"> • motor drive 	No
<ul style="list-style-type: none"> • Voltage trigger 	No
Connections	
Type of electrical connection	
<ul style="list-style-type: none"> • for main current circuit 	Box terminal
<ul style="list-style-type: none"> • for auxiliary contacts 	connection terminals

Requirements

Design of the fuse link

- | | |
|---|------------------|
| <ul style="list-style-type: none"> • for short-circuit protection of the main circuit / required | fuse gL/gG: 63 A |
| <ul style="list-style-type: none"> • for short-circuit protection of the auxiliary switch / required | fuse gL/gG: 10 A |

Mechanical Design

Height	64 mm
Width	64 mm
Depth	93 mm
Mounting type	Built-in unit fixed-mounted version
Mounting type	
<ul style="list-style-type: none"> • front mounting with 4-hole attachment 	No
<ul style="list-style-type: none"> • front mounting with central attachment 	No
<ul style="list-style-type: none"> • rail mounting 	Yes
Net weight	304 g

Environmental conditions

Ambient temperature

- | | |
|--|--------|
| <ul style="list-style-type: none"> • during operation / minimum | -25 °C |
| <ul style="list-style-type: none"> • during operation / maximum | 55 °C |

Certificates

Equipment marking

- | | |
|--|----|
| <ul style="list-style-type: none"> • acc. to DIN EN 61346-2 | S |
| <ul style="list-style-type: none"> • acc. to DIN EN 81346-2 | SF |

General Product Approval

Declaration of Conformity



[sonstig](#)



Test Certificates	Shipping Approval	other
spezielle Prüfbescheinigungen	<p>LRS</p>	Umweltbestätigung

Further information

Information- and Downloadcenter (Catalogs, Brochures,...)
<http://www.siemens.com/lowvoltage/catalogs>

Industry Mall (Online ordering system)

<https://mall.industry.siemens.com/mall/en/en/Catalog/product?mlfb=3LD2530-0TK13>

Service&Support (Manuals, Certificates, Characteristics, FAQs,...)

<http://support.automation.siemens.com/WW/view/en/3LD2530-0TK13/all>

Image database (product images, 2D dimension drawings, 3D models, device circuit diagrams, ...)

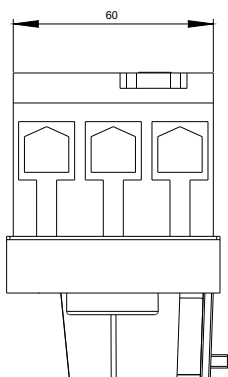
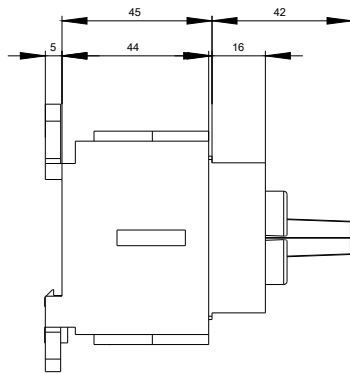
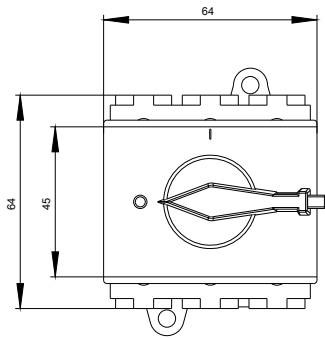
http://www.automation.siemens.com/bilddb/cax_en.aspx?mlfb=3LD2530-0TK13

CAX-Online-Generator

<http://www.siemens.com/cax>

Tender specifications

<http://www.siemens.com/specifications>



-Q1



