

Prism terminal single 70 - 150mm<sup>2</sup>, for size NH1 with screw connection, accessories for 3NP1 fuse switch disconnectors contains 3 terminals

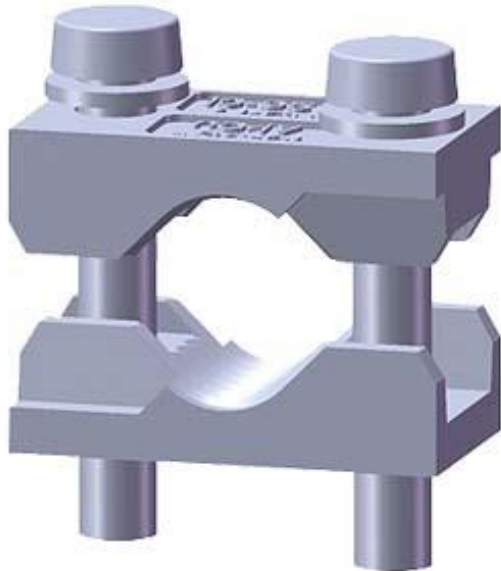


Figure similar

## Model

product brandname

SETRON

## Further information

**Information- and Downloadcenter (Catalogs, Brochures,...)**

<http://www.siemens.com/lowvoltage/catalogs>

**Industry Mall (Online ordering system)**

<https://mall.industry.siemens.com/mall/en/en/Catalog/product?mlfb=3NP1943-1BB10>

**Service&Support (Manuals, Certificates, Characteristics, FAQs,...)**

<http://support.automation.siemens.com/WW/view/en/3NP1943-1BB10/all>

**Image database (product images, 2D dimension drawings, 3D models, device circuit diagrams, ...)**

[http://www.automation.siemens.com/bilddb/cax\\_en.aspx?mlfb=3NP1943-1BB10](http://www.automation.siemens.com/bilddb/cax_en.aspx?mlfb=3NP1943-1BB10)

**CAX-Online-Generator**

<http://www.siemens.com/cax>

**Tender specifications**

<http://www.siemens.com/specifications>

