

MOULDED-PLASTIC ENCLOSURE FOR WALL MOUNTING DEGREE OF PROTECTION IP55, WITH N AND PE TERMINAL LOCKABLE IN 0 POSITION 72MM



Figure similar

General technical data:

Product designation		ISO surface-mounted housing
Design of the product		Assembly
Material of the enclosure		plastic
Protection class IP of the enclosure		IP55
Product component transparent cover		No

Installation/ mounting/ dimensions:

Width	mm	105
Height	mm	155
Depth	mm	126

Certificates/approvals

Declaration of Conformity	Test Certificates	Shipping Approval		other
 EG-Konf.	Typprüfbescheinigung/Werkszeugnis	spezielle Prüfbescheinigungen	 ABS	 RMRS
				sonstig

other
Bestätigungen
Umweltbestätigung

Further information

Information- and Downloadcenter (Catalogs, Brochures,...)

<http://www.siemens.com/industrial-controls/catalogs>

Industry Mall (Online ordering system)

<https://mall.industry.siemens.com/mall/en/en/Catalog/product?mlfb=3RV1923-1DA00>

Cax online generator

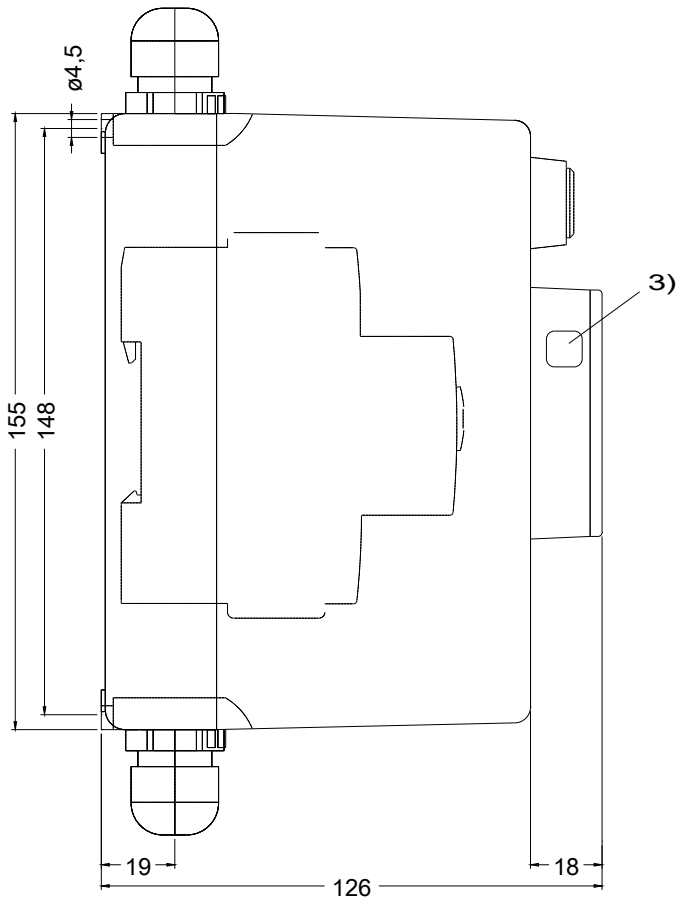
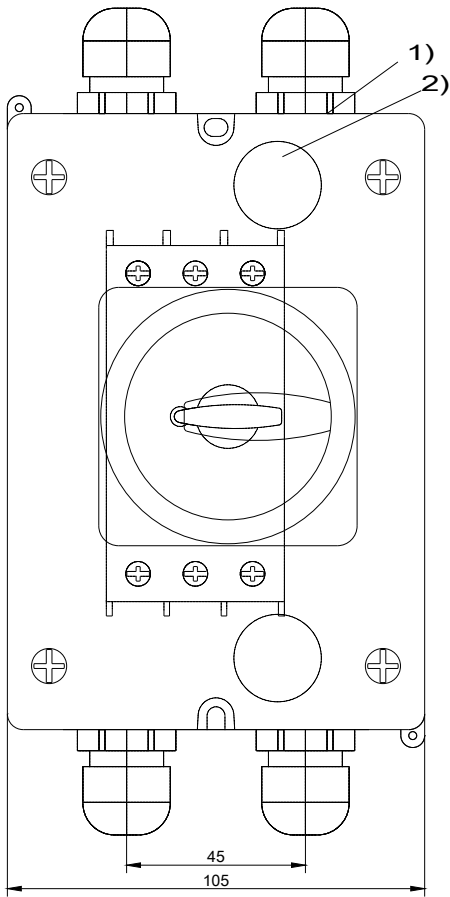
<http://support.automation.siemens.com/WW/CAXorder/default.aspx?lang=en&mlfb=3RV1923-1DA00>

Service&Support (Manuals, Certificates, Characteristics, FAQs,...)

<https://support.industry.siemens.com/cs/ww/en/ps/3RV1923-1DA00>

Image database (product images, 2D dimension drawings, 3D models, device circuit diagrams, EPLAN macros, ...)

http://www.automation.siemens.com/bilddb/cax_de.aspx?mlfb=3RV1923-1DA00&lang=en



- 1) Ausbrechoeffnung fuer Verschraubung M25
- 2) Ausbrechoeffnung fuer rueckseitige Leitungseinfuehrung
- 3) Oeffnung fuer Vorhaengeschoess mit Buegeldurchmesser max. 8 mm

last modified:

05/01/2017