

CAST-ALUMINIUM HOUSING IP 65, MOUNTING WIDTH 72MM, WITH PE-TERMINAL FOR CIRCUIT-BREAKERS, SIZE S0



General technical data:

Product designation		Alu surface-mounted housing
Design of the product		Assembly
Material of the enclosure		aluminum
Protection class IP of the enclosure		IP65
Product component transparent cover		No

Installation/ mounting/ dimensions:

Width	mm	105
Height	mm	170
Depth	mm	135

Certificates/approvals

Declaration of Conformity	Test Certificates	Shipping Approval		other	
 EG-Konf.	Typprüfbescheinigung/Werkszeugnis	spezielle Prüfbescheinigungen	 ABS	 RMRS	Bestätigungen

other
Umweltbestätigung sonstig

Further information

Information- and Downloadcenter (Catalogs, Brochures,...)

<http://www.siemens.com/industrial-controls/catalogs>

Industry Mall (Online ordering system)

<https://mall.industry.siemens.com/mall/en/en/Catalog/product?mlfb=3RV1923-1DA01>

Cax online generator

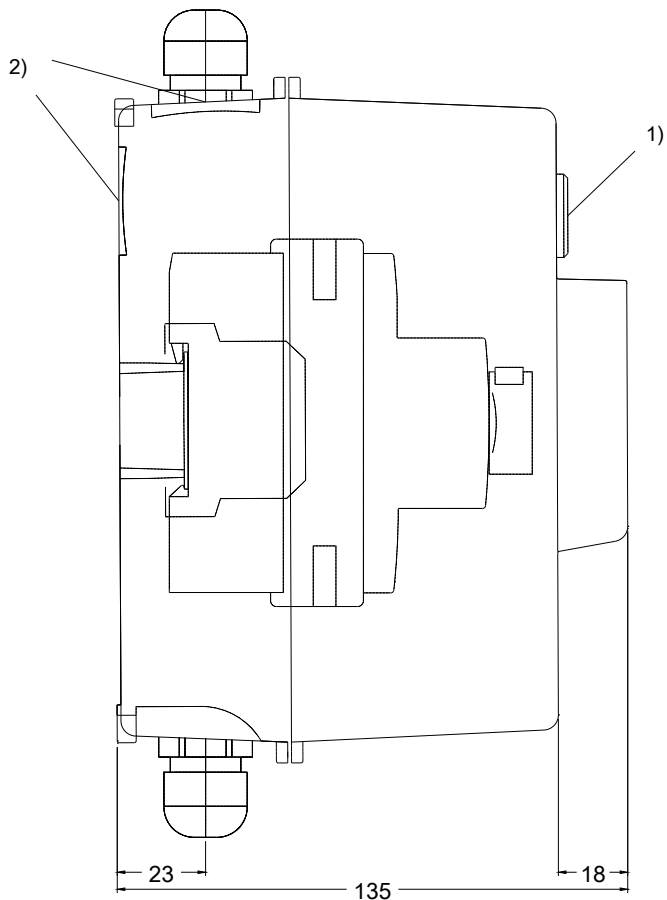
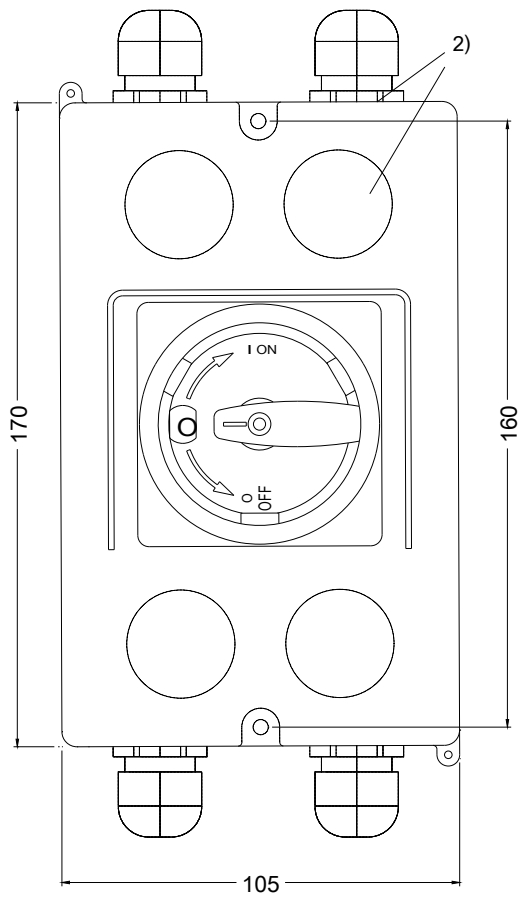
<http://support.automation.siemens.com/WW/CAXorder/default.aspx?lang=en&mlfb=3RV1923-1DA01>

Service&Support (Manuals, Certificates, Characteristics, FAQs,...)

<https://support.industry.siemens.com/cs/ww/en/ps/3RV1923-1DA01>

Image database (product images, 2D dimension drawings, 3D models, device circuit diagrams, EPLAN macros, ...)

http://www.automation.siemens.com/bilddb/cax_de.aspx?mlfb=3RV1923-1DA01&lang=en



- 1) Leuchtmelder
- 2) Ausbrechöffnung fuer Verschraubung M25

last modified:

05/01/2017