

INDICATOR LIGHT, 22MM, ROUND, PLASTIC, CLEAR, SMOOTH LENS



Figure similar

product brandname	SIRIUS ACT
Product designation	Indicator lights
Product type designation	3SU1
Actuator	
Color	
• of the actuating element	Clear
Material of the actuating element	plastic
Shape of the actuating element	round
Outer diameter of the actuating element	29.45 mm
Front ring	
Product component front ring	No
General technical data	
Protection class IP	IP66, IP67, IP69(IP69K)
Degree of protection NEMA rating	NEMA 1, 2, 3, 3R, 4, 4X, 12
Vibration resistance	
• acc. to IEC 60068-2-6	10 ... 500 Hz: 5g

- for railway applications acc. to DIN EN 61373

Category 1, Class B

Equipment marking

- acc. to DIN EN 61346-2
- acc. to DIN EN 81346-2

P

P

Connections/Terminals

Tightening torque of the screws in the bracket

1 ... 1.2 N·m

Ambient conditions

Ambient temperature

- during operation
- during storage

-25 ... +70 °C

-40 ... +80 °C

Environmental category during operation acc. to IEC 60721

3M6, 3S2, 3B2, 3C3, 3K6 (with relative air humidity of 10 ... 95 %)

Installation/ mounting/ dimensions

Height

29.5 mm

Width

29.5 mm

Shape of the installation opening

round

Mounting diameter

22.3 mm

Positive tolerance of installation diameter

0.4 mm

Mounting height

11.8 mm

Installation width

29.5 mm

Installation depth

24.4 mm

Certificates/approvals

General Product Approval

Declaration of Conformity

Test Certificates



CSA



UL



EG-Konf.

[Werksbescheinigung](#)

[gen](#)

[spezielle Prüfbescheinigung](#)

[n](#)

other

[Bestätigungen](#)

Further information

Information- and Downloadcenter (Catalogs, Brochures,...)

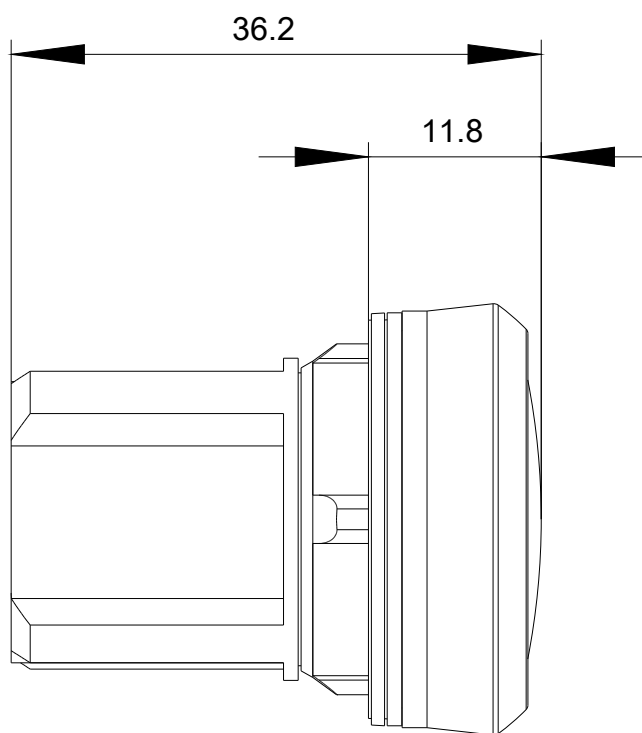
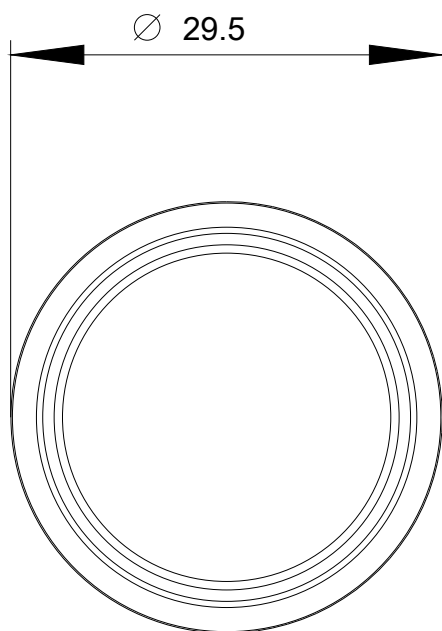
<http://www.siemens.com/industrial-controls/catalogs>

Industry Mall (Online ordering system)

<https://mall.industry.siemens.com/mall/en/en/Catalog/product?mlfb=3SU1001-6AA70-0AA0>

Cax online generator

<http://support.automation.siemens.com/WW/CAXorder/default.aspx?lang=en&mlfb=3SU1001-6AA70-0AA0>



last modified:

04/13/2017