

INDICATOR LIGHT, 22MM, ROUND, PLASTIC, GREEN, SMOOTH LENS



Figure similar

product brandname	SIRIUS ACT
Product designation	Indicator lights
Product type designation	3SU1

### Actuator

Color	
• of the actuating element	Green
Material of the actuating element	plastic
Shape of the actuating element	round
Outer diameter of the actuating element	29.45 mm

### Front ring

Product component front ring	No
------------------------------	----

### General technical data

Protection class IP	IP66, IP67, IP69(IP69K)
Degree of protection NEMA rating	NEMA 1, 2, 3, 3R, 4, 4X, 12
Vibration resistance	
• acc. to IEC 60068-2-6	10 ... 500 Hz: 5g

- for railway applications acc. to DIN EN 61373

Category 1, Class B

#### Equipment marking

- acc. to DIN EN 61346-2
- acc. to DIN EN 81346-2

P

P

#### Connections/Terminals

##### Tightening torque of the screws in the bracket

1 ... 1.2 N·m

#### Ambient conditions

##### Ambient temperature

- during operation
- during storage

-25 ... +70 °C

-40 ... +80 °C

Environmental category during operation acc. to IEC 60721

3M6, 3S2, 3B2, 3C3, 3K6 (with relative air humidity of 10 ... 95 %)

#### Installation/ mounting/ dimensions

##### Height

29.5 mm

##### Width

29.5 mm

##### Shape of the installation opening

round

##### Mounting diameter

22.3 mm

##### Positive tolerance of installation diameter

0.4 mm

##### Mounting height

11.8 mm

##### Installation width

29.5 mm

##### Installation depth

24.4 mm

#### Certificates/approvals

##### General Product Approval

##### Declaration of Conformity

##### Test Certificates



[Werksbescheinigung](#)

[spezielle Prüfbescheinigung](#)

##### other

[Bestätigungen](#)

#### Further information

##### Information- and Downloadcenter (Catalogs, Brochures,...)

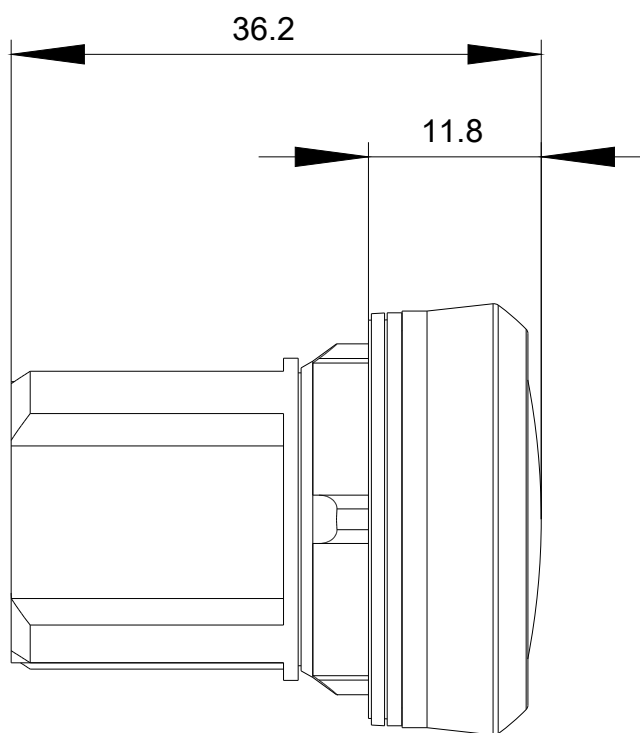
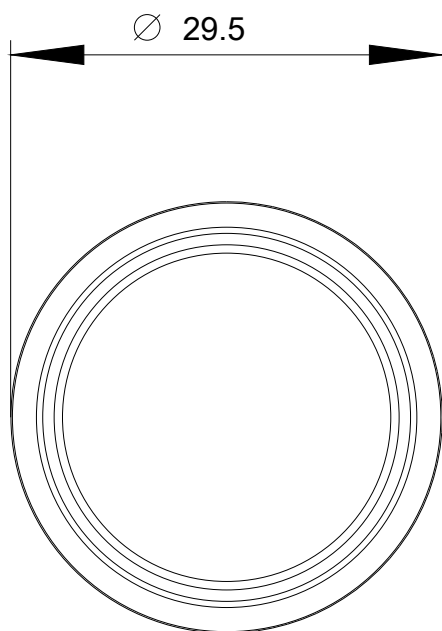
<http://www.siemens.com/industrial-controls/catalogs>

##### Industry Mall (Online ordering system)

<https://mall.industry.siemens.com/mall/en/en/Catalog/product?mlfb=3SU1001-6AA40-0AA0>

##### Cax online generator

<http://support.automation.siemens.com/WW/CAXorder/default.aspx?lang=en&mlfb=3SU1001-6AA40-0AA0>



last modified:

04/07/2017