

INDICATOR LIGHT, 22MM, ROUND, PLASTIC, AMBER, SMOOTH LENS



Figure similar

<b>product brandname</b>	SIRIUS ACT
<b>Product designation</b>	Indicator lights
<b>Product type designation</b>	3SU1
<b>Actuator</b>	
<b>Color</b>	
• of the actuating element	Amber
<b>Material of the actuating element</b>	plastic
<b>Shape of the actuating element</b>	round
<b>Outer diameter of the actuating element</b>	29.45 mm
<b>Front ring</b>	
<b>Product component front ring</b>	No
<b>General technical data</b>	
<b>Protection class IP</b>	IP66, IP67, IP69(IP69K)
<b>Degree of protection NEMA rating</b>	NEMA 1, 2, 3, 3R, 4, 4X, 12
<b>Vibration resistance</b>	
• acc. to IEC 60068-2-6	10 ... 500 Hz: 5g

- for railway applications acc. to DIN EN 61373

Category 1, Class B

#### Equipment marking

- acc. to DIN EN 61346-2
- acc. to DIN EN 81346-2

P

P

#### Connections/Terminals

##### Tightening torque of the screws in the bracket

1 ... 1.2 N·m

#### Ambient conditions

##### Ambient temperature

- during operation
- during storage

-25 ... +70 °C

-40 ... +80 °C

Environmental category during operation acc. to IEC 60721

3M6, 3S2, 3B2, 3C3, 3K6 (with relative air humidity of 10 ... 95 %)

#### Installation/ mounting/ dimensions

##### Height

29.5 mm

##### Width

29.5 mm

##### Shape of the installation opening

round

##### Mounting diameter

22.3 mm

##### Positive tolerance of installation diameter

0.4 mm

##### Mounting height

11.8 mm

##### Installation width

29.5 mm

##### Installation depth

24.4 mm

#### Certificates/approvals

##### General Product Approval

##### Declaration of Conformity

##### Test Certificates



[Werksbescheinigung](#)

[spezielle Prüfbescheinigung](#)

##### other

[Bestätigungen](#)

#### Further information

##### Information- and Downloadcenter (Catalogs, Brochures,...)

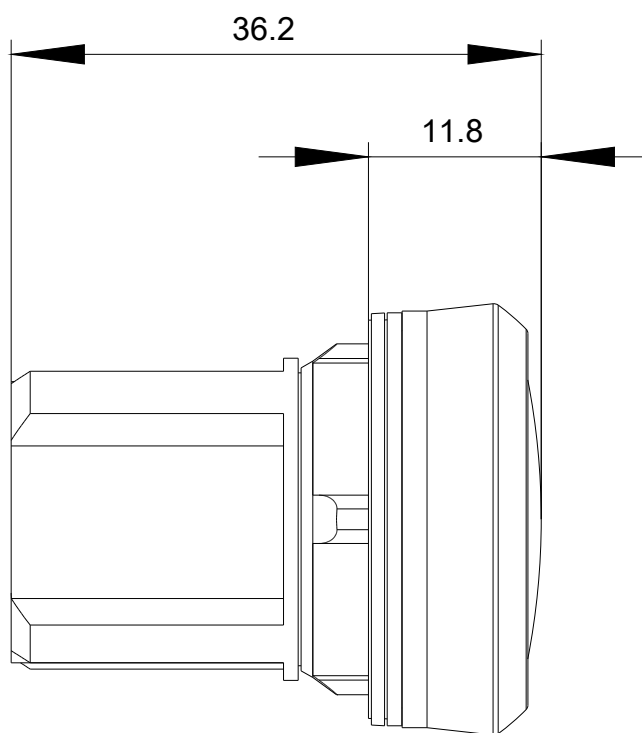
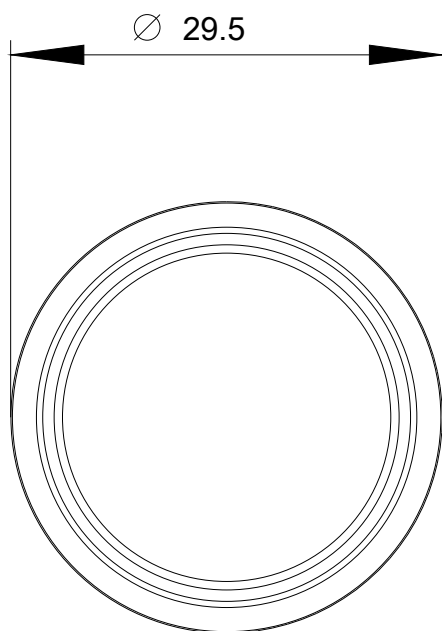
<http://www.siemens.com/industrial-controls/catalogs>

##### Industry Mall (Online ordering system)

<https://mall.industry.siemens.com/mall/en/en/Catalog/product?mfb=3SU1001-6AA00-0AA0>

##### Cax online generator

<http://support.automation.siemens.com/WW/CAXorder/default.aspx?lang=en&mfb=3SU1001-6AA00-0AA0>



last modified:

04/13/2017