

SIRIUS POSITION SWITCH METAL HOUSING 40MM TO EN50041  
 DEVICE CONNECTION 1X (M20X1,5) 1NO/ 1NC SNAP-ACTION  
 CONTACTS ROTARY ACTUATOR RIGHT/LEFT ADJUSTABLE,  
 METAL LEVER 27MM LONG AND STAINL. STEEL ROLLER 19MM



|   |                               |
|---|-------------------------------|
| <b>Product designation</b>  | standard position switch      |
| <b>Manufacturer's article number</b>  |                               |
| <ul style="list-style-type: none"> <li>• of the supplied basic switch</li> </ul>                        | <a href="#">3SE5112-0CA00</a> |
| <ul style="list-style-type: none"> <li>• of the supplied actuator head for position switches</li> </ul> | <a href="#">3SE5000-0AH00</a> |
| <ul style="list-style-type: none"> <li>• of the supplied operating lever</li> </ul>                     | <a href="#">3SE5000-0AA02</a> |
| <ul style="list-style-type: none"> <li>• of the supplied switching contacts</li> </ul>                  | <a href="#">3SE5000-0CA00</a> |
| <ul style="list-style-type: none"> <li>• of the supplied empty enclosure with cover</li> </ul>          | <a href="#">3SE5112-0AA00</a> |

| General technical data  |            |
|---|------------|
| <b>Product function</b>   |            |
| <ul style="list-style-type: none"> <li>• positive opening</li> </ul>      | Yes        |
| <b>Insulation voltage</b>   |            |
| <ul style="list-style-type: none"> <li>• rated value</li> </ul>           | 400 V      |
| <b>Degree of pollution</b>  | class 3    |
| <b>Surge voltage resistance rated value</b>                               | 6 kV       |
| <b>Protection class IP</b>  | IP66/IP67  |
| <b>Vibration resistance</b>   |            |
| <ul style="list-style-type: none"> <li>• acc. to IEC 60068-2-6</li> </ul> | 0.35 mm/5g |
| <b>Mechanical service life (switching cycles)</b>                         |            |

|  |  |
|--|--|
| • typical  | 15 000 000   |
| <b>Electrical endurance (switching cycles)</b>   |  |
| • at AC-15 at 230 V typical  | 100 000  |
| <b>Electrical endurance (switching cycles) with contactor 3RH11, 3RT1016, 3RT1017, 3RT1024, 3RT1025, 3RT1026 typical</b> | 10 000 000   |
| <b>Electrical operating cycles in one hour with contactor 3RH11, 3RT1016, 3RT1017, 3RT1024, 3RT1025, 3RT1026</b>         | 6 000  |
| <b>Thermal current</b>   | 10 A   |
| <b>Equipment marking</b>   |  |
| • acc. to DIN EN 61346-2   | B  |
| • acc. to DIN EN 81346-2   | B  |
| <b>Continuous current of the C characteristic MCB</b>  | 1 A; for a short-circuit current smaller than 400 A                            |
| <b>Continuous current of the quick DIAZED fuse link</b>  | 10 A; for a short-circuit current smaller than 400 A                           |
| <b>Continuous current of the DIAZED fuse link gG</b>   | 6 A  |
| <b>Active principle</b>  | mechanical   |
| <b>Repeat accuracy</b>   | 0.05 mm  |
| <b>Minimum actuating torque in activation direction</b>  | 0.25 N·m   |
| <b>Operating current at AC-15</b>  |  |
| • at 24 V rated value  | 6 A  |
| • at 125 V rated value   | 6 A  |
| • at 230 V rated value   | 6 A  |
| • at 400 V rated value   | 4 A  |
| <b>Operating current at DC-13</b>  |  |
| • at 24 V rated value  | 3 A  |
| • at 125 V rated value   | 0.55 A   |
| • at 230 V rated value   | 0.27 A   |
| • at 400 V rated value   | 0.1 A  |
| <b>Enclosure</b>   |  |
| <b>Design of the housing</b>   | block, narrow  |
| <b>Material of the enclosure</b>   | metal  |
| <b>Coating of the enclosure</b>  | cathodic immersion coating   |
| <b>Design of the housing acc. to standard</b>  | Yes  |
| <b>Drive Head</b>  |  |
| <b>Design of the operating mechanism</b>   | Twist lever, metal lever, 27 mm long, step 9 mm, high-grade steel roller 19 mm |
| <b>Standard-compliant actuator head</b>  | EN 50041, design A   |
| <b>Shape of the switch head</b>  | roller   |
| <b>Design of the switching function</b>  | positive opening   |
| <b>Connections/Terminals</b>   |  |
| <b>Type of electrical connection</b>   | screw-type terminals   |

## Mechanical data

**Cable entry type** 1x (M20 x 1.5)

## Ambient conditions

### Ambient temperature

- during operation -25 ... +85 °C
- during storage -40 ... +90 °C

## Installation/ mounting/ dimensions

**Mounting position** any

**Mounting type** screw fixing

## Certificates/approvals

### General Product Approval

### Functional Safety/Safety of Machinery

### Declaration of Conformity



[Baumusterprüfbescheinigung](#)



### Test Certificates

### other

[spezielle Prüfbescheinigung](#)  
[n](#)

[Bestätigungen](#)

## Further information

### Information- and Downloadcenter (Catalogs, Brochures,...)

<http://www.siemens.com/industrial-controls/catalogs>

### Industry Mall (Online ordering system)

<https://mall.industry.siemens.com/mall/en/en/Catalog/product?mlfb=3SE5112-0CH02>

### Cax online generator

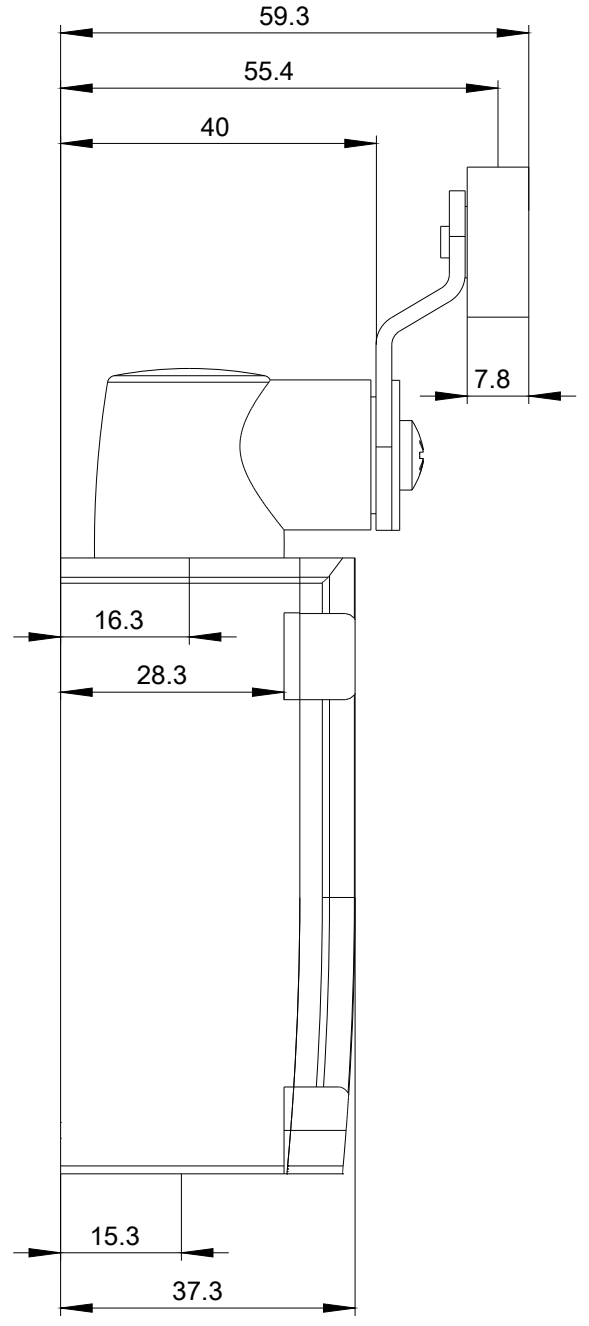
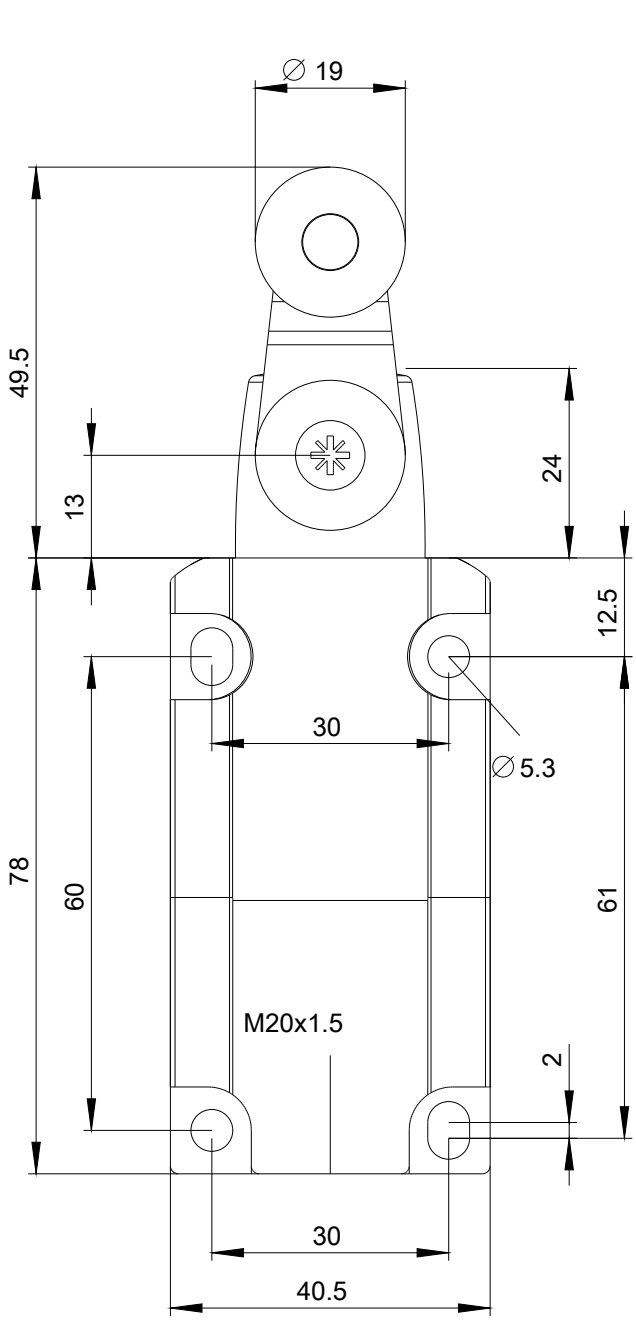
<http://support.automation.siemens.com/WW/CAXorder/default.aspx?lang=en&mlfb=3SE5112-0CH02>

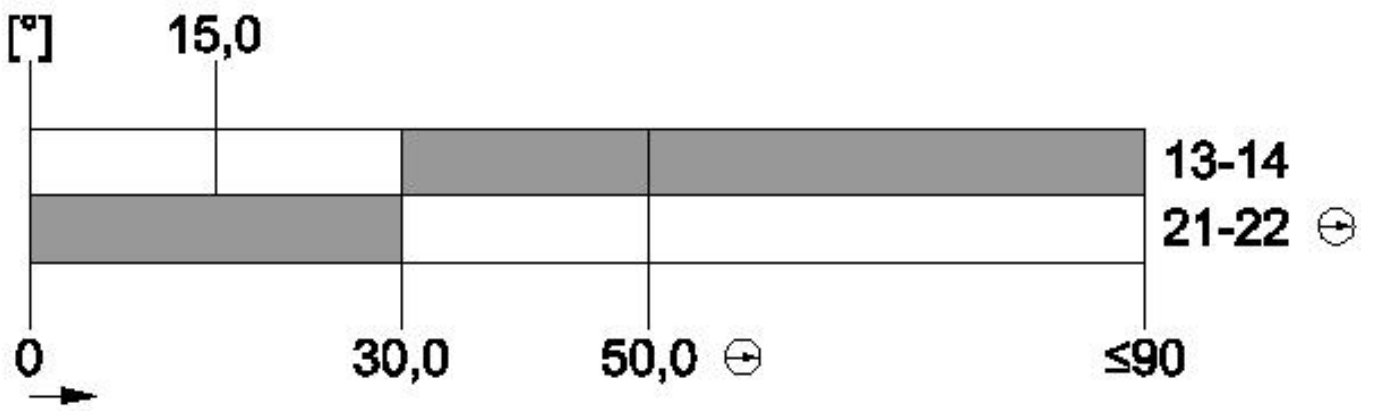
### Service&Support (Manuals, Certificates, Characteristics, FAQs,...)

<https://support.industry.siemens.com/cs/ww/en/ps/3SE5112-0CH02>

### Image database (product images, 2D dimension drawings, 3D models, device circuit diagrams, EPLAN macros, ...)

[http://www.automation.siemens.com/bilddb/cax\\_de.aspx?mlfb=3SE5112-0CH02&lang=en](http://www.automation.siemens.com/bilddb/cax_de.aspx?mlfb=3SE5112-0CH02&lang=en)





last modified:

04/10/2017