

SIGNAL COLUMNS, DIAMETER 70MM ACCESSORIES TUBE
ADAPTOR (100MM)



Figure similar

General technical data:

Product designation	Adapter
Equipment marking	U
<ul style="list-style-type: none"> • acc. to DIN EN 81346-2 	

Mechanical data:

Outer diameter of the signal column element	57 mm
--	-------

Ambient conditions:

Ambient temperature during operation	-20 ... +50 °C
Height	58 mm
Width	57 mm

Certificates/approvals

General Product Approval	Declaration of Conformity	other
--------------------------	---------------------------	-------



[Bestätigungen](#)

Further information

Information- and Downloadcenter (Catalogs, Brochures,...)

<http://www.siemens.com/industrial-controls/catalogs>

Industry Mall (Online ordering system)

<https://mall.industry.siemens.com/mall/en/en/Catalog/product?mlfb=8WD5308-0EG>

Cax online generator

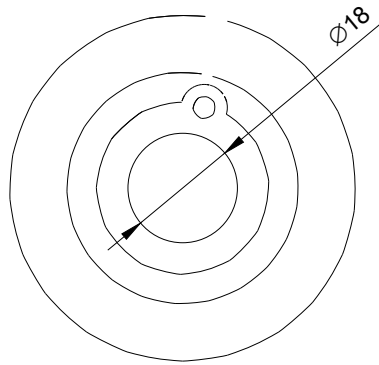
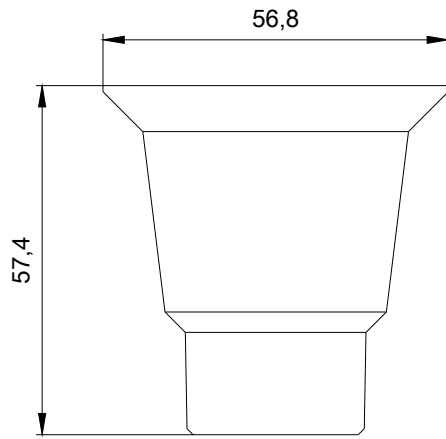
<http://support.automation.siemens.com/WW/CAXorder/default.aspx?lang=en&mlfb=8WD5308-0EG>

Service&Support (Manuals, Certificates, Characteristics, FAQs,...)

<https://support.industry.siemens.com/cs/ww/en/ps/8WD5308-0EG>

Image database (product images, 2D dimension drawings, 3D models, device circuit diagrams, EPLAN macros, ...)

http://www.automation.siemens.com/bilddb/cax_de.aspx?mlfb=8WD5308-0EG&lang=en



W9.4444;
W9.4583; 8WD5308-0EG_ALL

last modified:

02/09/2017