

CONTACTOR, AC-3, 7.5KW/400V, 1NO+1NC, AC 230V 50/60HZ, 3-POLE, SZ S0 SCREW TERMINAL



product brandname	SIRIUS
Product designation	Power contactor
Product type designation	3RT2
<b>General technical data</b>	
Size of contactor	S0
Product extension	
• function module for communication	No
• Auxiliary switch	Yes
Insulation voltage	
• rated value	690 V
Degree of pollution	3
Surge voltage resistance rated value	6 kV
maximum permissible voltage for safe isolation	
• between coil and main contacts acc. to EN 60947-1	400 V
Protection class IP	
• on the front	IP20
• of the terminal	IP20
Shock resistance at rectangular impulse	

<ul style="list-style-type: none"> <li>• at AC</li> </ul>	7,5g / 5 ms, 4,7g / 10 ms
<b>Shock resistance with sine pulse</b>	
<ul style="list-style-type: none"> <li>• at AC</li> </ul>	11,8g / 5 ms, 7,4g / 10 ms
<b>Mechanical service life (switching cycles)</b>	
<ul style="list-style-type: none"> <li>• of contactor typical</li> </ul>	10 000 000
<ul style="list-style-type: none"> <li>• of the contactor with added electronics-compatible auxiliary switch block typical</li> </ul>	5 000 000
<ul style="list-style-type: none"> <li>• of the contactor with added auxiliary switch block typical</li> </ul>	10 000 000

### Ambient conditions

<b>Ambient temperature</b>	
<ul style="list-style-type: none"> <li>• during operation</li> </ul>	-25 ... +60 °C
<ul style="list-style-type: none"> <li>• during storage</li> </ul>	-55 ... +80 °C

### Main circuit

<b>Number of poles for main current circuit</b>	3
<b>Number of NO contacts for main contacts</b>	3
<b>Number of NC contacts for main contacts</b>	0
<b>Operating voltage</b>	
<ul style="list-style-type: none"> <li>• at AC-3 rated value maximum</li> </ul>	690 V
<b>Operating current</b>	
<ul style="list-style-type: none"> <li>• at AC-1 at 400 V <ul style="list-style-type: none"> <li>— at ambient temperature 40 °C rated value</li> </ul> </li> </ul>	40 A
<ul style="list-style-type: none"> <li>• at AC-1 <ul style="list-style-type: none"> <li>— up to 690 V at ambient temperature 40 °C rated value</li> </ul> </li> </ul>	40 A
<ul style="list-style-type: none"> <li>— up to 690 V at ambient temperature 60 °C rated value</li> </ul>	35 A
<ul style="list-style-type: none"> <li>• at AC-2 at 400 V rated value</li> </ul>	17 A
<ul style="list-style-type: none"> <li>• at AC-3 <ul style="list-style-type: none"> <li>— at 400 V rated value</li> </ul> </li> </ul>	17 A
<ul style="list-style-type: none"> <li>— at 500 V rated value</li> </ul>	17 A
<ul style="list-style-type: none"> <li>— at 690 V rated value</li> </ul>	13 A
<b>Connectable conductor cross-section in main circuit at AC-1</b>	
<ul style="list-style-type: none"> <li>• at 60 °C minimum permissible</li> </ul>	10 mm <sup>2</sup>
<ul style="list-style-type: none"> <li>• at 40 °C minimum permissible</li> </ul>	10 mm <sup>2</sup>
<b>Operating current for approx. 200000 operating cycles at AC-4</b>	
<ul style="list-style-type: none"> <li>• at 400 V rated value</li> </ul>	7.7 A
<ul style="list-style-type: none"> <li>• at 690 V rated value</li> </ul>	7.7 A
<b>Operating current</b>	
<ul style="list-style-type: none"> <li>• at 1 current path at DC-1</li> </ul>	

— at 24 V rated value	35 A
— at 110 V rated value	4.5 A
— at 220 V rated value	1 A
— at 440 V rated value	0.4 A
— at 600 V rated value	0.25 A
• with 2 current paths in series at DC-1	
— at 24 V rated value	35 A
— at 110 V rated value	35 A
— at 220 V rated value	5 A
— at 440 V rated value	1 A
— at 600 V rated value	0.8 A
• with 3 current paths in series at DC-1	
— at 24 V rated value	35 A
— at 110 V rated value	35 A
— at 220 V rated value	35 A
— at 440 V rated value	2.9 A
— at 600 V rated value	1.4 A
<b>Operating current</b>	
• at 1 current path at DC-3 at DC-5	
— at 24 V rated value	20 A
— at 110 V rated value	2.5 A
— at 220 V rated value	1 A
— at 440 V rated value	0.09 A
— at 600 V rated value	0.06 A
• with 2 current paths in series at DC-3 at DC-5	
— at 110 V rated value	15 A
— at 220 V rated value	3 A
— at 24 V rated value	35 A
— at 440 V rated value	0.27 A
— at 600 V rated value	0.16 A
• with 3 current paths in series at DC-3 at DC-5	
— at 110 V rated value	35 A
— at 220 V rated value	10 A
— at 24 V rated value	35 A
— at 440 V rated value	0.6 A
— at 600 V rated value	0.6 A
<b>Operating power</b>	
• at AC-1	
— at 230 V rated value	13.3 kW
— at 230 V at 60 °C rated value	13.3 kW
— at 400 V rated value	23 kW

— at 400 V at 60 °C rated value	23 kW
— at 690 V rated value	40 kW
— at 690 V at 60 °C rated value	40 kW
• at AC-2 at 400 V rated value	7.5 kW
<b>• at AC-3</b>	
— at 230 V rated value	4 kW
— at 400 V rated value	7.5 kW
— at 690 V rated value	11 kW
<b>Operating power for approx. 200000 operating cycles at AC-4</b>	
• at 400 V rated value	3.5 kW
• at 690 V rated value	6 kW
<b>Thermal short-time current limited to 10 s</b>	150 A
<b>Power loss [W] at AC-3 at 400 V for rated value of the operating current per conductor</b>	0.9 W
<b>No-load switching frequency</b>	
• at AC	5 000 1/h
<b>Operating frequency</b>	
• at AC-1 maximum	1 000 1/h
• at AC-2 maximum	1 000 1/h
• at AC-3 maximum	1 000 1/h
• at AC-4 maximum	300 1/h
<b>Control circuit/ Control</b>	
<b>Type of voltage of the control supply voltage</b>	AC
<b>Control supply voltage at AC</b>	
• at 50 Hz rated value	230 V
• at 60 Hz rated value	230 V
<b>Operating range factor control supply voltage rated value of magnet coil at AC</b>	
• at 50 Hz	0.8 ... 1.1
• at 60 Hz	0.85 ... 1.1
<b>Apparent pick-up power of magnet coil at AC</b>	
• at 50 Hz	68 V·A
• at 60 Hz	67 V·A
<b>Inductive power factor with closing power of the coil</b>	
• at 50 Hz	0.72
• at 60 Hz	0.74
<b>Apparent holding power of magnet coil at AC</b>	
• at 50 Hz	7.9 V·A
• at 60 Hz	6.5 V·A
<b>Inductive power factor with the holding power of the coil</b>	

<ul style="list-style-type: none"> <li>• at 50 Hz</li> <li>• at 60 Hz</li> </ul>	0.25 0.28
<b>Closing delay</b> <ul style="list-style-type: none"> <li>• at AC</li> </ul>	9 ... 38 ms
<b>Opening delay</b> <ul style="list-style-type: none"> <li>• at AC</li> </ul>	4 ... 16 ms
<b>Arcing time</b>	10 ... 10 ms
<b>Residual current of the electronics for control with signal &lt;0&gt;</b> <ul style="list-style-type: none"> <li>• at AC at 230 V maximum permissible</li> <li>• at DC at 24 V maximum permissible</li> </ul>	6 mA 16 mA

Auxiliary circuit	
<b>Number of NC contacts</b> <ul style="list-style-type: none"> <li>• for auxiliary contacts               <ul style="list-style-type: none"> <li>— instantaneous contact</li> </ul> </li> </ul>	1
<b>Number of NO contacts</b> <ul style="list-style-type: none"> <li>• for auxiliary contacts               <ul style="list-style-type: none"> <li>— instantaneous contact</li> </ul> </li> </ul>	1
Operating current at AC-12 maximum	10 A
<b>Operating current at AC-15</b> <ul style="list-style-type: none"> <li>• at 230 V rated value</li> <li>• at 400 V rated value</li> <li>• at 500 V rated value</li> <li>• at 690 V rated value</li> </ul>	10 A 3 A 2 A 1 A
<b>Operating current at DC-12</b> <ul style="list-style-type: none"> <li>• at 24 V rated value</li> <li>• at 48 V rated value</li> <li>• at 60 V rated value</li> <li>• at 110 V rated value</li> <li>• at 125 V rated value</li> <li>• at 220 V rated value</li> <li>• at 600 V rated value</li> </ul>	10 A 6 A 6 A 3 A 2 A 1 A 0.15 A
<b>Operating current at DC-13</b> <ul style="list-style-type: none"> <li>• at 24 V rated value</li> <li>• at 48 V rated value</li> <li>• at 60 V rated value</li> <li>• at 110 V rated value</li> <li>• at 125 V rated value</li> <li>• at 220 V rated value</li> <li>• at 600 V rated value</li> </ul>	10 A 2 A 2 A 1 A 0.9 A 0.3 A 0.1 A
<b>Contact reliability of auxiliary contacts</b>	1 faulty switching per 100 million (17 V, 1 mA)

## UL/CSA ratings

<b>Full-load current (FLA) for three-phase AC motor</b> <ul style="list-style-type: none"><li>• at 480 V rated value</li><li>• at 600 V rated value</li></ul>	14 A 17 A
<b>Yielded mechanical performance [hp]</b> <ul style="list-style-type: none"><li>• for single-phase AC motor<ul style="list-style-type: none"><li>— at 110/120 V rated value</li><li>— at 230 V rated value</li></ul></li><li>• for three-phase AC motor<ul style="list-style-type: none"><li>— at 200/208 V rated value</li><li>— at 220/230 V rated value</li><li>— at 460/480 V rated value</li><li>— at 575/600 V rated value</li></ul></li></ul>	1 hp 3 hp 3 hp 5 hp 10 hp 15 hp
<b>Contact rating of auxiliary contacts according to UL</b>	A600 / Q600

## Short-circuit protection

<b>Design of the fuse link</b> <ul style="list-style-type: none"><li>• for short-circuit protection of the main circuit<ul style="list-style-type: none"><li>— with type of coordination 1 required</li><li>— with type of assignment 2 required</li></ul></li><li>• for short-circuit protection of the auxiliary switch required</li></ul>	gG NH 3NA, DIAZED 5SB, NEOZED 5SE: 63 A gG NH 3NA, DIAZED 5SB, NEOZED 5SE: 25 A fuse gG: 10 A
--	---

## Installation/ mounting/ dimensions

<b>Mounting position</b>	+/-180° rotation possible on vertical mounting surface; can be tilted forward and backward by +/- 22.5° on vertical mounting surface
<b>Mounting type</b> <ul style="list-style-type: none"><li>• Side-by-side mounting</li></ul>	screw and snap-on mounting onto 35 mm standard mounting rail according to DIN EN 50022 Yes
<b>Height</b>	85 mm
<b>Width</b>	45 mm
<b>Depth</b>	97 mm
<b>Required spacing</b> <ul style="list-style-type: none"><li>• for grounded parts<ul style="list-style-type: none"><li>— at the side</li></ul></li><li>• for live parts<ul style="list-style-type: none"><li>— at the side</li></ul></li></ul>	6 mm 6 mm

## Connections/Terminals

<b>Type of electrical connection</b> <ul style="list-style-type: none"><li>• for main current circuit</li><li>• for auxiliary and control current circuit</li></ul>	screw-type terminals screw-type terminals
<b>Type of connectable conductor cross-sections</b>	

<ul style="list-style-type: none"> <li>• for main contacts <ul style="list-style-type: none"> <li>— solid</li> <li>— single or multi-stranded</li> <li>— finely stranded with core end processing</li> </ul> </li> <li>• at AWG conductors for main contacts</li> </ul>	<p>2x (1 ... 2.5 mm<sup>2</sup>), 2x (2.5 ... 10 mm<sup>2</sup>)</p> <p>2x (1 ... 2,5 mm<sup>2</sup>), 2x (2,5 ... 10 mm<sup>2</sup>)</p> <p>2x (1 ... 2.5 mm<sup>2</sup>), 2x (2.5 ... 6 mm<sup>2</sup>), 1x 10 mm<sup>2</sup></p> <p>2x (16 ... 12), 2x (14 ... 8)</p>
<p><b>Type of connectable conductor cross-sections</b></p> <ul style="list-style-type: none"> <li>• for auxiliary contacts <ul style="list-style-type: none"> <li>— single or multi-stranded</li> <li>— finely stranded with core end processing</li> </ul> </li> <li>• at AWG conductors for auxiliary contacts</li> </ul>	<p>2x (0,5 ... 1,5 mm<sup>2</sup>), 2x (0,75 ... 2,5 mm<sup>2</sup>)</p> <p>2x (0.5 ... 1.5 mm<sup>2</sup>), 2x (0.75 ... 2.5 mm<sup>2</sup>)</p> <p>2x (20 ... 16), 2x (18 ... 14)</p>

Safety related data	
<p><b>B10 value</b></p> <ul style="list-style-type: none"> <li>• with high demand rate acc. to SN 31920</li> </ul>	1 000 000
<p><b>Proportion of dangerous failures</b></p> <ul style="list-style-type: none"> <li>• with low demand rate acc. to SN 31920</li> <li>• with high demand rate acc. to SN 31920</li> </ul>	<p>40 %</p> <p>73 %</p>
<p><b>Failure rate [FIT]</b></p> <ul style="list-style-type: none"> <li>• with low demand rate acc. to SN 31920</li> </ul>	100 FIT
<p><b>Product function</b></p> <ul style="list-style-type: none"> <li>• Mirror contact acc. to IEC 60947-4-1</li> </ul>	Yes
<p><b>T1 value for proof test interval or service life acc. to IEC 61508</b></p>	20 y
<p><b>Protection against electrical shock</b></p>	finger-safe

Certificates/approvals
------------------------

General Product Approval	EMC
--------------------------	-----



[KTL](#)



Functional Safety/Safety of Machinery	Declaration of Conformity	Test Certificates	Shipping Approval
---------------------------------------	---------------------------	-------------------	-------------------

[Baumusterbescheinigung](#)



[Typprüfbescheinigung/Werkzeugnis](#)

[spezielle Prüfbescheinigung](#)



Shipping Approval	other
-------------------	-------



[Bestätigungen](#)

other
-------

[Umweltbestätigung](#)



### Further information

**Information- and Downloadcenter (Catalogs, Brochures,...)**

<http://www.siemens.com/industrial-controls/catalogs>

**Industry Mall (Online ordering system)**

<https://mall.industry.siemens.com/mall/en/en/Catalog/product?mlfb=3RT2025-1AL20>

**Cax online generator**

<http://support.automation.siemens.com/WW/CAXorder/default.aspx?lang=en&mlfb=3RT2025-1AL20>

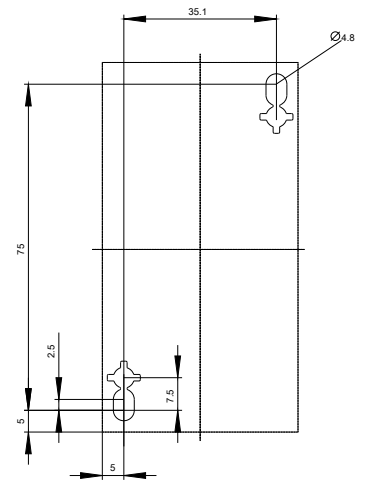
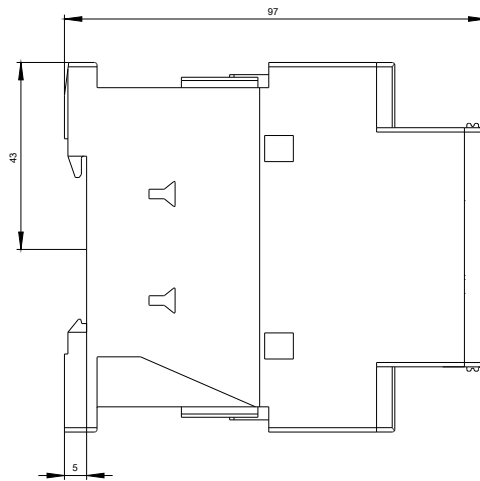
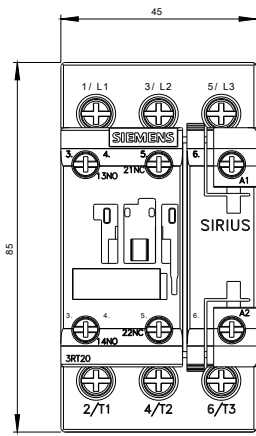
**Service&Support (Manuals, Certificates, Characteristics, FAQs,...)**

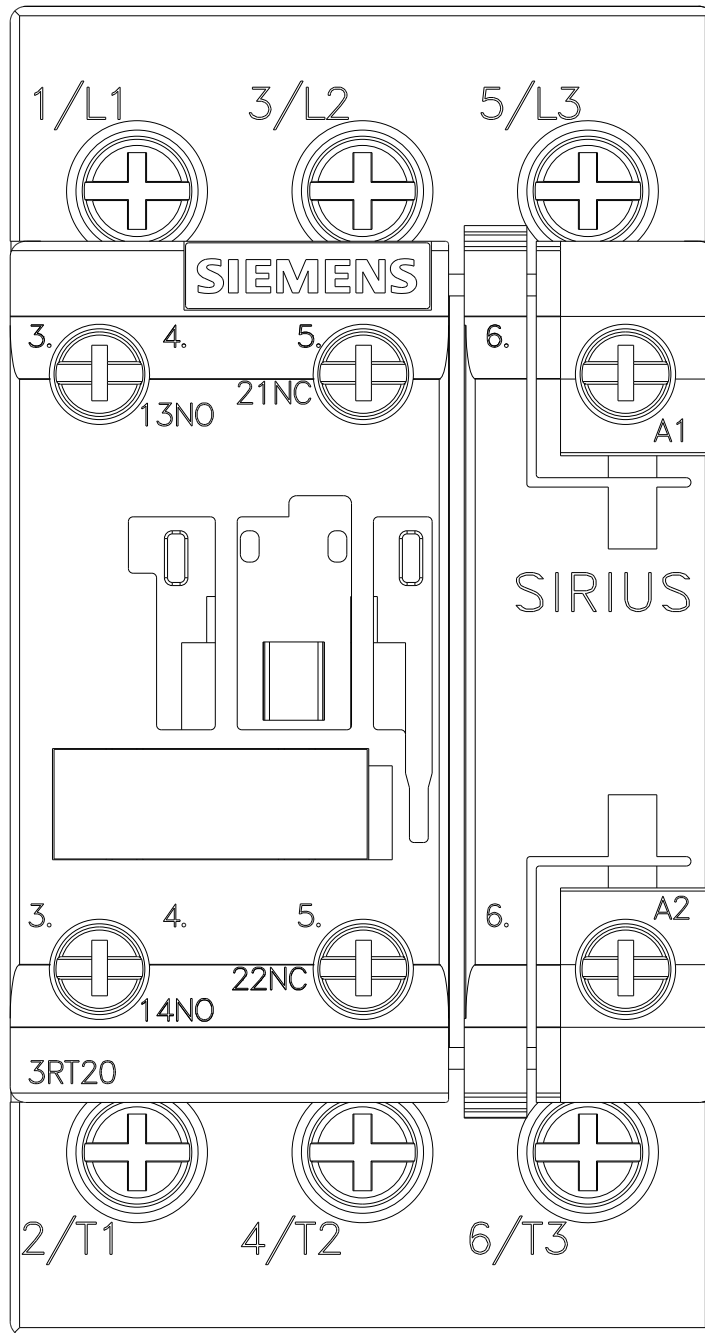
<https://support.industry.siemens.com/cs/ww/en/ps/3RT2025-1AL20>

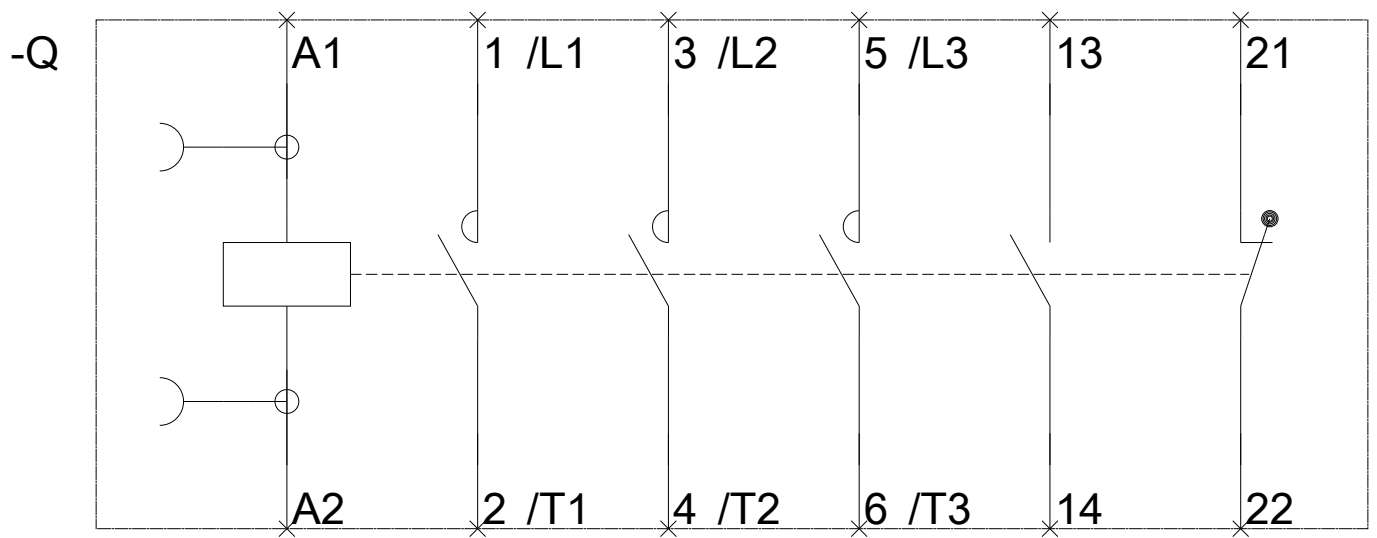
**Image database (product images, 2D dimension drawings, 3D models, device circuit diagrams, EPLAN macros, ...)**

[http://www.automation.siemens.com/bilddb/cax\\_de.aspx?mlfb=3RT2025-1AL20&lang=en](http://www.automation.siemens.com/bilddb/cax_de.aspx?mlfb=3RT2025-1AL20&lang=en)









last modified:

03/15/2017