

INDICATOR LIGHT, 22MM, ROUND, METAL, SHINY, BLUE,  
SMOOTH LENS



Figure similar

product brandname	SIRIUS ACT
Product designation	Indicator lights
Product type designation	3SU1
<b>Actuator</b>	
Color	
• of the actuating element	Blue
Material of the actuating element	plastic
Shape of the actuating element	round
Outer diameter of the actuating element	29.45 mm
<b>Front ring</b>	
Product component front ring	No
<b>General technical data</b>	
Protection class IP	IP66, IP67, IP69(IP69K)
Degree of protection NEMA rating	NEMA 1, 2, 3, 3R, 4, 4X, 12
Vibration resistance	
• acc. to IEC 60068-2-6	10 ... 500 Hz: 5g
Equipment marking	

- acc. to DIN EN 61346-2
- acc. to DIN EN 81346-2

P  
P

### Connections/Terminals

**Tightening torque of the screws in the bracket** 1 ... 1.2 N·m

### Ambient conditions

**Ambient temperature**

- during operation -25 ... +70 °C
- during storage -40 ... +80 °C

### Installation/ mounting/ dimensions

<b>Height</b>	29.5 mm
<b>Width</b>	29.5 mm
<b>Shape of the installation opening</b>	round
<b>Mounting diameter</b>	22.3 mm
<b>Positive tolerance of installation diameter</b>	0.4 mm
<b>Mounting height</b>	11.8 mm
<b>Installation width</b>	29.5 mm
<b>Installation depth</b>	24.4 mm

### Certificates/approvals

**General Product Approval**

**Declaration of  
Conformity**

**Test Certificates**



[Werksbescheinigung](#)

[spezielle  
Prüfbescheinigung](#)

**other**

[Bestätigungen](#)

### Further information

**Information- and Downloadcenter (Catalogs, Brochures,...)**

<http://www.siemens.com/industrial-controls/catalogs>

**Industry Mall (Online ordering system)**

<https://mall.industry.siemens.com/mall/en/en/Catalog/product?mlfb=3SU1051-6AA50-0AA0>

**Cax online generator**

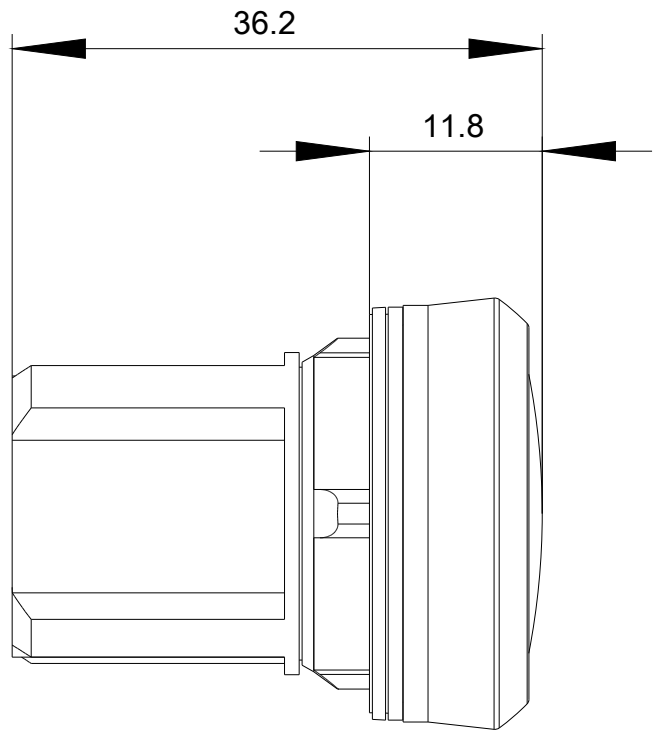
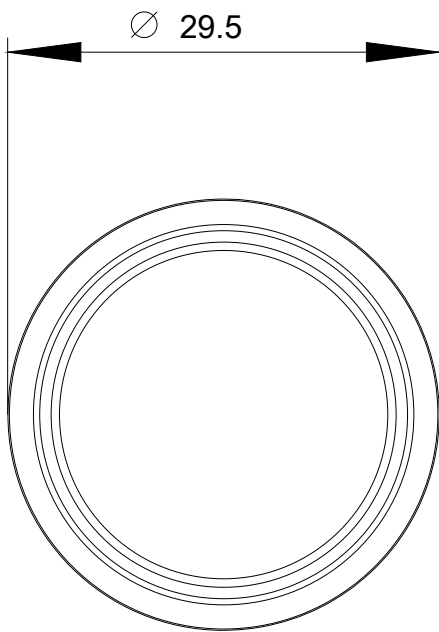
<http://support.automation.siemens.com/WW/CAXorder/default.aspx?lang=en&mlfb=3SU1051-6AA50-0AA0>

**Service&Support (Manuals, Certificates, Characteristics, FAQs,...)**

<https://support.industry.siemens.com/cs/ww/en/ps/3SU1051-6AA50-0AA0>

**Image database (product images, 2D dimension drawings, 3D models, device circuit diagrams, EPLAN macros, ...)**

[http://www.automation.siemens.com/bilddb/cax\\_de.aspx?mlfb=3SU1051-6AA50-0AA0&lang=en](http://www.automation.siemens.com/bilddb/cax_de.aspx?mlfb=3SU1051-6AA50-0AA0&lang=en)



last modified:

03/27/2017