

ACTUATOR HEAD FOR POSITION SWITCH 3SE51/52 ROLLER  
LEVER W. METAL LEVER AND PLASTIC ROLLER 13MM







<b>Product designation</b>	actuator head for position switch
<b>Manufacturer's article number</b>	
<ul style="list-style-type: none"> <li>of the supplied actuator head for position switches</li> </ul>	<a href="#">3SE5000-0AE10</a>
<b>General technical data</b>	
<b>Product function</b>	
<ul style="list-style-type: none"> <li>positive opening</li> </ul>	Yes
<b>Vibration resistance</b>	
<ul style="list-style-type: none"> <li>acc. to IEC 60068-2-6</li> </ul>	0.35 mm/5g
<b>Mechanical service life (switching cycles)</b>	
<ul style="list-style-type: none"> <li>typical</li> </ul>	15 000 000
<b>Equipment marking</b>	
<ul style="list-style-type: none"> <li>acc. to DIN EN 61346-2</li> </ul>	T
<ul style="list-style-type: none"> <li>acc. to DIN EN 81346-2</li> </ul>	T
<b>Active principle</b>	mechanical
<b>Minimum actuating force in activation direction</b>	10 N
<b>Enclosure</b>	
<b>Coating of the enclosure</b>	Other types

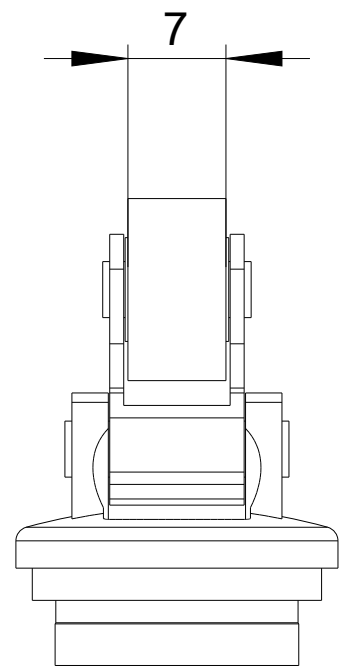
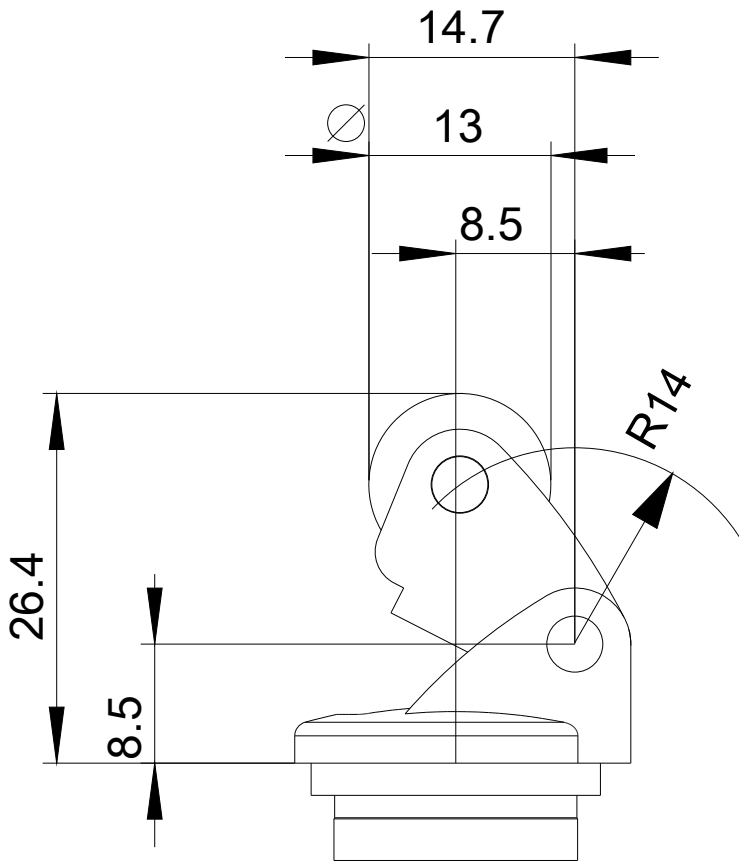
Drive Head	
Design of the operating mechanism	Roller lever, metal lever, plastic roller
Standard-compliant actuator head	EN 50047, design E
Shape of the switch head	roller
Outer diameter of the switch head	13 mm

Ambient conditions	
Ambient temperature	
<ul style="list-style-type: none"> <li>during operation</li> </ul>	-25 ... +85 °C
<ul style="list-style-type: none"> <li>during storage</li> </ul>	-40 ... +90 °C

Installation/ mounting/ dimensions	
Mounting position	any
Mounting type	lockable plug-in fixing

Certificates/approvals			
General Product Approval	Declaration of Conformity	Test Certificates	other
 CSA	 UR	 EAC	 EG-Konf.
		<a href="#">spezielle Prüfbescheinigung</a> n	<a href="#">Bestätigungen</a>

Further information
<b>Information- and Downloadcenter (Catalogs, Brochures,...)</b> <a href="http://www.siemens.com/industrial-controls/catalogs">http://www.siemens.com/industrial-controls/catalogs</a>
<b>Industry Mall (Online ordering system)</b> <a href="https://mall.industry.siemens.com/mall/en/en/Catalog/product?mlfb=3SE5000-0AE10">https://mall.industry.siemens.com/mall/en/en/Catalog/product?mlfb=3SE5000-0AE10</a>
<b>Cax online generator</b> <a href="http://support.automation.siemens.com/WW/CAXorder/default.aspx?lang=en&amp;mlfb=3SE5000-0AE10">http://support.automation.siemens.com/WW/CAXorder/default.aspx?lang=en&amp;mlfb=3SE5000-0AE10</a>
<b>Service&amp;Support (Manuals, Certificates, Characteristics, FAQs,...)</b> <a href="https://support.industry.siemens.com/cs/ww/en/ps/3SE5000-0AE10">https://support.industry.siemens.com/cs/ww/en/ps/3SE5000-0AE10</a>
<b>Image database (product images, 2D dimension drawings, 3D models, device circuit diagrams, EPLAN macros, ...)</b> <a href="http://www.automation.siemens.com/bilddb/cax_de.aspx?mlfb=3SE5000-0AE10&amp;lang=en">http://www.automation.siemens.com/bilddb/cax_de.aspx?mlfb=3SE5000-0AE10&amp;lang=en</a>



last modified:

03/15/2017