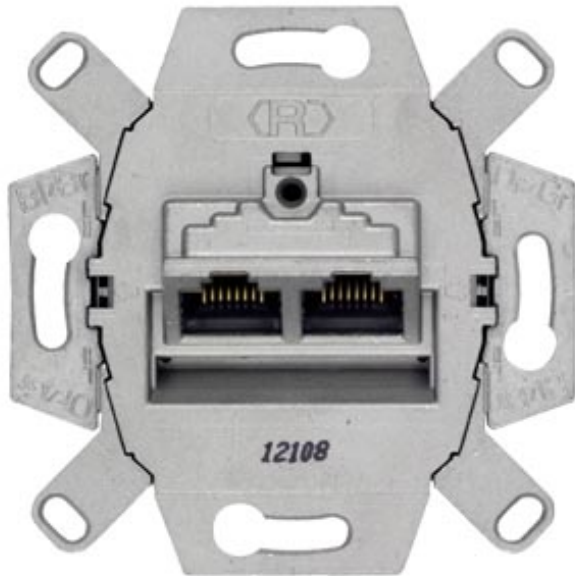


DELTA OUTLET BOX UNIVERSAL-ANSCHLUSS-EINHEIT 2 X 8
POLE RJ45 CAT6 E COMPACT TECHNIQUE FLEX LSA-PLUS
TERMINALS SCREW FIXING SHIELDED



Model	
Design of the product	Communication
Type of composition	basic element
General technical data	
Mounting type	fixing with screw
Surface processing	others
Product feature / Printed marking	No
Material	others
Protection class	
Protection class IP	IP20
Suitability	
Suitability for operation	universal connection unit/ISDN connection unit
Appearance	
Appearance	not applicable
Color	miscellaneous
Product details	
Product feature	

• Luster terminal	No
• Dust cover	No
Product component	
• Labeling field	No
• Hinged lid	No
• strain relief	No
Product feature	
• halogen-free	Yes
• transparent	No

Mechanical Design

Height	70 mm
Depth	40 mm
Mounting type	flush mounted
Material	metal

Declaration of Conformity



Further information

Information- and Downloadcenter (Catalogs, Brochures,...)

<http://www.siemens.com/lowvoltage/catalogs>

Industry Mall (Online ordering system)

<https://mall.industry.siemens.com/mall/en/en/Catalog/product?mfb=5TG2026-2>

Service&Support (Manuals, Certificates, Characteristics, FAQs,...)

<http://support.automation.siemens.com/WW/view/en/5TG2026-2/all>

Image database (product images, 2D dimension drawings, 3D models, device circuit diagrams, ...)

http://www.automation.siemens.com/bilddb/cax_en.aspx?mfb=5TG2026-2

CAX-Online-Generator

<http://www.siemens.com/cax>

Tender specifications

<http://www.siemens.com/specifications>