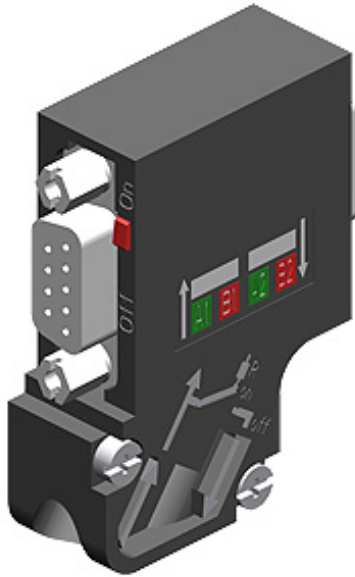


### Product type designation

PROFIBUS bus connector, RS485, Fast Connect, with PG socket, 35°

### Product description

PROFIBUS bus connector, RS485, Fast Connect, with PG socket, 35°  
SIMATIC DP, BUS CONNECTOR FOR PROFIBUS UP TO 12 MBIT/S 35 DEGREE ANGLE CABLE OUTLET, IPCD TECHNOLOGY FAST CONNECT, WITH PG SOCKET 15,8 X 54 X 39,5 MM (WXHxD),



Suitability for use	For connecting PROFIBUS nodes to the PROFIBUS bus cable
<b>Transmission rate</b>	
Transfer rate / with PROFIBUS DP	9.6 kbit/s ... 12 Mbit/s
<b>Interfaces</b>	
Number of electrical connections	
<ul style="list-style-type: none"> <li>for PROFIBUS cables</li> </ul>	2
<ul style="list-style-type: none"> <li>for network components or terminal equipment</li> </ul>	1
Type of electrical connection	
<ul style="list-style-type: none"> <li>for PROFIBUS cables</li> </ul>	Integrated insulation displacement contacts for 2-core PB FC-installation cables
<ul style="list-style-type: none"> <li>for network components or terminal equipment</li> </ul>	9-pin Sub-D connector
Type of electrical connection / FastConnect	Yes
<b>Mechanical data</b>	
Design of terminating resistor	Integrated resistor combination that can be selected with slide switch

Material / of the enclosure	plastic
-----------------------------	---------

### Design, dimensions and weight

Type of cable outlet	35 degree cable outlet
Width	15.8 mm
Height	54 mm
Depth	39.5 mm
Net weight	34 g

### Permitted ambient conditions

Ambient temperature	
<ul style="list-style-type: none"> <li>during operation</li> </ul>	-25 ... +60 °C
<ul style="list-style-type: none"> <li>during storage</li> </ul>	-40 ... +70 °C
<ul style="list-style-type: none"> <li>during transport</li> </ul>	-40 ... +70 °C
Protection class IP	IP20

### Product properties, functions, components / general

Product feature	
<ul style="list-style-type: none"> <li>silicon-free</li> </ul>	Yes
Product component	
<ul style="list-style-type: none"> <li>PG connection socket</li> </ul>	Yes
<ul style="list-style-type: none"> <li>strain relief</li> </ul>	Yes

### Standards, specifications, approvals

Certificate of suitability	
<ul style="list-style-type: none"> <li>RoHS conformity</li> </ul>	Yes
<ul style="list-style-type: none"> <li>UL approval</li> </ul>	Yes
<b>last modified:</b>	03/02/2017