

RFID NON-CONTACT SAFETY SWITCH RECTANGULAR 25MM X 91MM, INDIVIDUALLY CODED, MULTIPLE TEACH-IN CAPABILITY WITH M12 CONNECTOR 8-POLE. ORDER 3SE6310-0BC01 ACTUATOR SEPARATELY



Product designation	RFID safety switch
Design of the product	RFID safety cut-out switch
Suitability for use safety-related circuits	Yes

General technical data

Product function	
<ul style="list-style-type: none"> • positive opening • cross-circuit/short-circuit recognition 	<p>No</p> <p>Yes</p>
Product feature	individually coded, learnable multiple times, without magnet latching
Type of voltage of the operating voltage	DC
Protection class IP	IP65, IP67, IP69k
Shock resistance	
<ul style="list-style-type: none"> • acc. to IEC 60068-2-27 	Sinusoidal half-wave 30g / 11 ms
Vibration resistance	
<ul style="list-style-type: none"> • acc. to IEC 60068-2-6 	10 ... 55 Hz: 1 mm
Type of voltage	DC
Height of the sensor	22 mm
Length of the sensor	106 mm
Width of the sensor	25 mm

Material of the active sensor area	plastic
Mechanical installation condition for sensor	flush installation possible
Operating voltage rated value	24 V
Operating current rated value	600 mA
Design of the interface for safety-related communication	connector M12
Transmission frequency Rated value	125 kHz

Enclosure

Material of the enclosure	plastic
Material of cable sheath	PVC

Actuator

Design of the operating mechanism	RFID
------------------------------------------	------

Contact

Switching frequency	1 Hz
Operating distance	12 mm
Safe operating distance OFF	16 mm
Safe operating distance ON	10 mm
Design of the switching function	positive switching
Number of switching contacts for signaling function <ul style="list-style-type: none"> • safety-related 	1

Connections/Terminals

Type of electrical connection	connector M12
--------------------------------------	---------------

Safety related data

Safety Integrity Level (SIL) acc. to IEC 61508	SIL3
Performance level (PL) acc. to EN ISO 13849-1	e
Category acc. to EN 954-1	4

Ambient conditions

Ambient temperature <ul style="list-style-type: none"> • during operation 	-25 ... +70 °C
-------------------------------------------------------------------------------------------------	----------------

Supply voltage

Supply voltage	26.4 ... 20.4 V
-----------------------	-----------------

Inputs/ Outputs

Output current	0.5 A
Output current at safety-related output maximum	0.25 A

Display

Evaluation version required	yes
------------------------------------	-----

Installation/ mounting/ dimensions

Mounting type	screw fixing
----------------------	--------------

Certificates/approvals

General Product Approval	Functional Safety/Safety of Machinery	Declaration of Conformity	other
--------------------------	---------------------------------------	---------------------------	-------



[Baumusterprüfbescheinigung](#)



[Bestätigungen](#)

Further information

Information- and Downloadcenter (Catalogs, Brochures,...)

<http://www.siemens.com/industrial-controls/catalogs>

Industry Mall (Online ordering system)

<https://mall.industry.siemens.com/mall/en/en/Catalog/product?mfb=3SE6315-0BB02>

Cax online generator

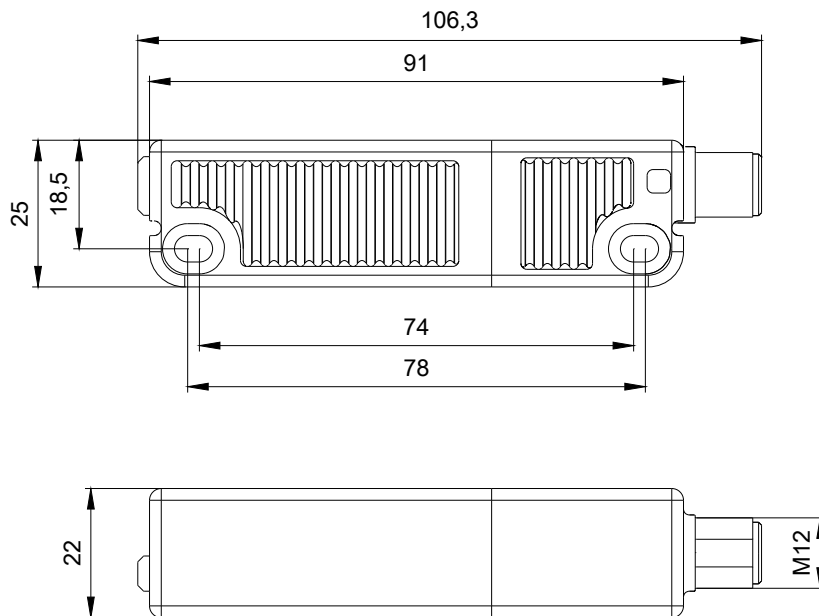
<http://support.automation.siemens.com/WW/CAXorder/default.aspx?lang=en&mfb=3SE6315-0BB02>

Service&Support (Manuals, Certificates, Characteristics, FAQs,...)

<https://support.industry.siemens.com/cs/ww/en/ps/3SE6315-0BB02>

Image database (product images, 2D dimension drawings, 3D models, device circuit diagrams, EPLAN macros, ...)

http://www.automation.siemens.com/bilddb/cax_de.aspx?mfb=3SE6315-0BB02&lang=en



last modified:

02/07/2017