

SEALING PLUG FOR SPARE COMMAND POINTS, 22 mm, METAL, SILVER



Figure similar

<b>product brandname</b>	SIRIUS ACT
<b>Actuator</b>	
<b>Shape of the actuating element</b>	round
<b>Outer diameter of the actuating element</b>	29.5 mm
<b>General technical data</b>	
<b>Protection class IP</b>	IP66, IP67, IP69(IP69K)
<b>Degree of protection NEMA rating</b>	NEMA 1, 2, 3, 3R, 4, 4X, 12
<b>Equipment marking</b>	
• acc. to DIN EN 61346-2	S
• acc. to DIN EN 81346-2	S
<b>Ambient conditions</b>	
<b>Ambient temperature</b>	
• during operation	-25 ... +70 °C
• during storage	-40 ... +80 °C
<b>Environmental category during operation acc. to IEC 60721</b>	3M6, 3S2, 3B2, 3C3, 3K6 (with relative air humidity of 10 ... 95 %)




## Installation/ mounting/ dimensions

Shape of the installation opening	round
Mounting diameter	22.3 mm
Positive tolerance of installation diameter	0.4 mm
Mounting height	6.5 mm
Installation width	29.5 mm
Installation depth	24.2 mm

## Accessories

Material of accessory	Metal
Color of accessory	Silver

## Certificates/approvals

General Product Approval	Declaration of Conformity	Test Certificates
 CSA	 UL	
	 EG-Konf.	<a href="#">Werksbescheinigung</a> <a href="#">gen</a>
		<a href="#">spezielle Prüfbescheinigung</a> <a href="#">n</a>

## other

[Bestätigungen](#)

## Further information

### Information- and Downloadcenter (Catalogs, Brochures,...)

<http://www.siemens.com/industrial-controls/catalogs>

### Industry Mall (Online ordering system)

<https://mall.industry.siemens.com/mall/en/en/Catalog/product?mlfb=3SU1950-0FA80-0AA0>

### Cax online generator

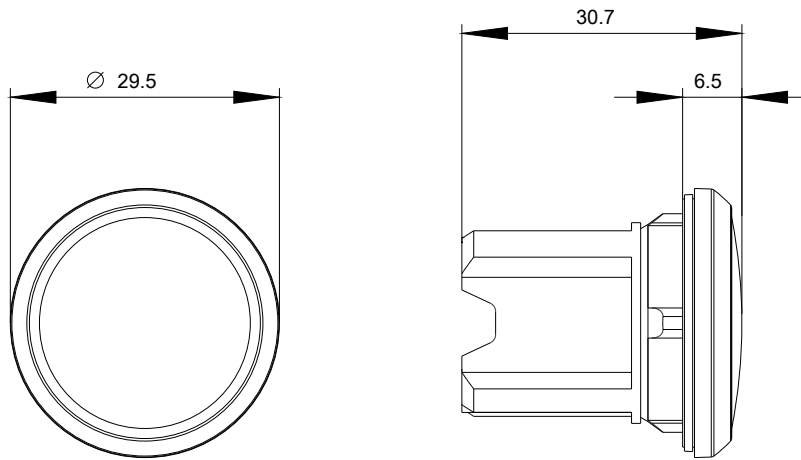
<http://support.automation.siemens.com/WW/CAXorder/default.aspx?lang=en&mlfb=3SU1950-0FA80-0AA0>

### Service&Support (Manuals, Certificates, Characteristics, FAQs,...)

<https://support.industry.siemens.com/cs/ww/en/ps/3SU1950-0FA80-0AA0>

### Image database (product images, 2D dimension drawings, 3D models, device circuit diagrams, EPLAN macros, ...)

[http://www.automation.siemens.com/bilddb/cax\\_de.aspx?mlfb=3SU1950-0FA80-0AA0&lang=en](http://www.automation.siemens.com/bilddb/cax_de.aspx?mlfb=3SU1950-0FA80-0AA0&lang=en)



last modified:

01/17/2017