

ROTARY ACTUATOR HEAD, (W/O LEVER) RIGHT AND / OR LEFT SWITCHING, ADJUSTABLE FOR POSITION SWITCH 3SE51



Product designation	Semi-rotary actuator for position switch
Manufacturer's article number	
<ul style="list-style-type: none"> of the supplied actuator head for position switches 	3SE5000-0AH00
General technical data	
Shock resistance	
<ul style="list-style-type: none"> acc. to IEC 60068-2-27 	30 g / 11 ms
Vibration resistance	
<ul style="list-style-type: none"> acc. to IEC 60068-2-6 	0.35 mm/5g
Equipment marking	
<ul style="list-style-type: none"> acc. to DIN EN 61346-2 acc. to DIN EN 81346-2 	T T
Active principle	mechanical
Minimum actuating torque in activation direction	0.25 N·m
Enclosure	
Coating of the enclosure	Other types
Drive Head	
Design of the operating mechanism	Twist actuator, without lever or rod

Communication/ Protocol

Design of the interface without

Ambient conditions

Ambient temperature





- during operation -25 ... +85 °C
- during storage -40 ... +90 °C

Installation/ mounting/ dimensions

Mounting position any

Mounting type lockable plug-in fixing

Certificates/approvals

General Product Approval	Declaration of Conformity	Test Certificates	other		
 CSA	 UR	 EAC	 EG-Konf.	spezielle Prüfbescheinigung n	Bestätigungen

Further information

Information- and Downloadcenter (Catalogs, Brochures,...)

<http://www.siemens.com/industrial-controls/catalogs>

Industry Mall (Online ordering system)

<https://mall.industry.siemens.com/mall/en/en/Catalog/product?mlfb=3SE5000-0AH00>

Cax online generator

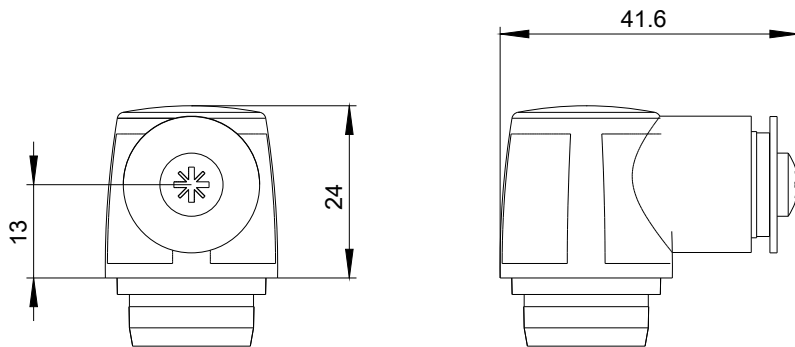
<http://support.automation.siemens.com/WW/CAXorder/default.aspx?lang=en&mlfb=3SE5000-0AH00>

Service&Support (Manuals, Certificates, Characteristics, FAQs,...)

<https://support.industry.siemens.com/cs/ww/en/ps/3SE5000-0AH00>

Image database (product images, 2D dimension drawings, 3D models, device circuit diagrams, EPLAN macros, ...)

http://www.automation.siemens.com/bilddb/cax_de.aspx?mlfb=3SE5000-0AH00&lang=en



last modified:

11/11/2016