

LABEL HOLDER, FLAT, FRAME WITH ROUNDED BOTTOM, BLACK, FOR LABELING PLATE 17.5MM X 27MM

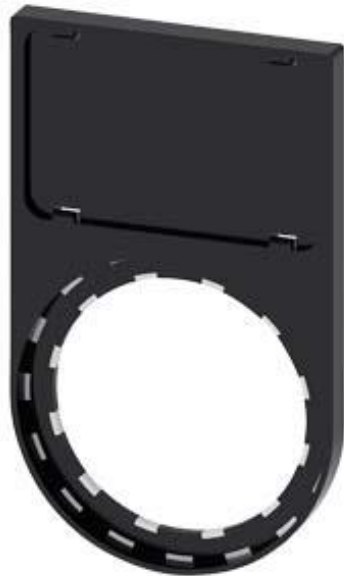


Figure similar

product brand name	SIRIUS ACT
Product designation	Commanding and signaling devices
Design of the product	Label holder for labling plate

#### Actuator:

Design of the operating mechanism	Label 17,5 x 27mm
-----------------------------------	-------------------

#### General technical data:

Protection class IP	IP66, IP67, IP69(IP69K)
Degree of protection NEMA rating	NEMA 1, 2, 3, 3R, 4, 4X, 12
Shock resistance	Category 1, Class B
<ul style="list-style-type: none"> <li>for railway applications acc. to DIN EN 61373</li> </ul>	Category 1, Class B
Vibration resistance	Category 1, Class B
<ul style="list-style-type: none"> <li>for railway applications acc. to DIN EN 61373</li> </ul>	Category 1, Class B





#### Installation/ mounting/ dimensions:

Height	49.8 mm
Width	29.8 mm

#### Accessories:

Material of accessory	Plastic
Shape of label holder	rounded below
Color of label holder	Black
Mounting type of label	snap on

#### Certificates/approvals

General Product Approval		Declaration of Conformity	Test Certificates	
				<a href="#">Werksbescheinigung</a>
CSA	UL		EG-Konf.	<a href="#">spezielle Prüfbescheinigungen</a>

#### other

[Bestätigungen](#)

#### Further information

##### Information- and Downloadcenter (Catalogs, Brochures,...)

<http://www.siemens.com/industrial-controls/catalogs>

##### Industry Mall (Online ordering system)

<https://mall.industry.siemens.com/mall/en/en/Catalog/product?mlfb=3SU1900-0AS10-0AA0>

##### Cax online generator

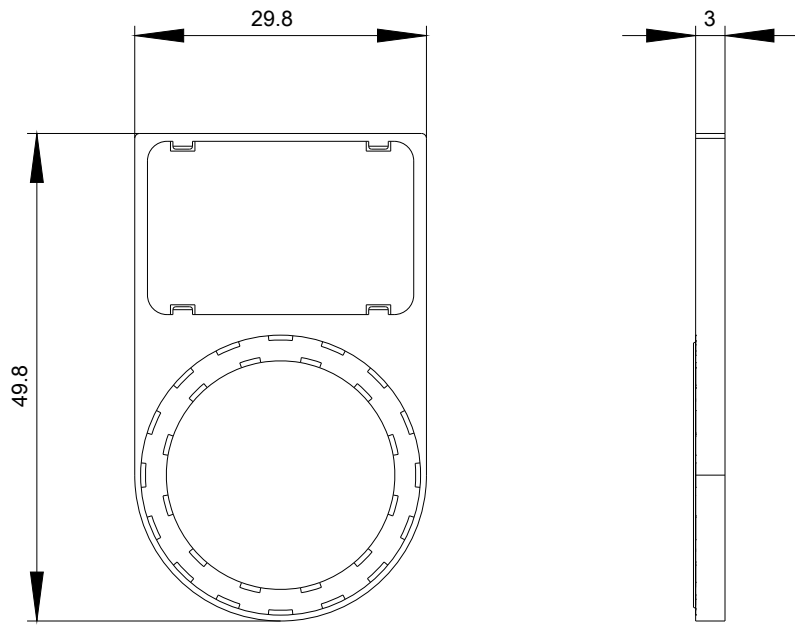
<http://support.automation.siemens.com/WW/CAXorder/default.aspx?lang=en&mlfb=3SU1900-0AS10-0AA0>

##### Service&Support (Manuals, Certificates, Characteristics, FAQs,...)

<https://support.industry.siemens.com/cs/ww/en/ps/3SU1900-0AS10-0AA0>

##### Image database (product images, 2D dimension drawings, 3D models, device circuit diagrams, EPLAN macros, ...)

[http://www.automation.siemens.com/bilddb/cax\\_de.aspx?mlfb=3SU1900-0AS10-0AA0&lang=en](http://www.automation.siemens.com/bilddb/cax_de.aspx?mlfb=3SU1900-0AS10-0AA0&lang=en)



last modified:

11/11/2016