

ACTUATOR HEAD FOR POSITION SWITCH 3SE51/52 ROLLER
LEVER W. STAINLESS STEEL LEVER AND STAINLESS STEEL
ROLLER 13MM



Product designation	actuator head for position switch
Manufacturer's article number	
<ul style="list-style-type: none"> of the supplied actuator head for position switches 	3SE5000-0AE13
General technical data	
Product function	
<ul style="list-style-type: none"> positive opening 	Yes
Shock resistance	
<ul style="list-style-type: none"> acc. to IEC 60068-2-27 	30 g / 11 ms
Vibration resistance	
<ul style="list-style-type: none"> acc. to IEC 60068-2-6 	0.35 mm/5g
Mechanical service life (switching cycles)	
<ul style="list-style-type: none"> typical 	15 000 000
Equipment marking	
<ul style="list-style-type: none"> acc. to DIN EN 61346-2 	T
<ul style="list-style-type: none"> acc. to DIN EN 81346-2 	T
Active principle	mechanical
Minimum actuating force in activation direction	10 N

Enclosure

Coating of the enclosure	Other types
--------------------------	-------------

Drive Head

Design of the operating mechanism	Roller lever, high-grade steel lever, high-grade steel roller
-----------------------------------	---

Standard-compliant actuator head	EN 50047, design E
----------------------------------	--------------------

Shape of the switch head	roller
--------------------------	--------

Outer diameter of the switch head	13 mm
-----------------------------------	-------

Communication/ Protocol

Design of the interface	without
-------------------------	---------

Ambient conditions

Ambient temperature	
---------------------	--

- during operation -25 ... +85 °C
- during storage -40 ... +90 °C

Installation/ mounting/ dimensions

Mounting position	any
-------------------	-----

Mounting type	lockable plug-in fixing
---------------	-------------------------

Certificates/approvals

General Product Approval	Declaration of Conformity	Test Certificates	other
--------------------------	---------------------------	-------------------	-------



[spezielle Prüfbescheinigungen](#)
[n](#)

[Bestätigungen](#)

Further information

Information- and Downloadcenter (Catalogs, Brochures,...)

<http://www.siemens.com/industrial-controls/catalogs>

Industry Mall (Online ordering system)

<https://mall.industry.siemens.com/mall/en/en/Catalog/product?mlfb=3SE5000-0AE13>

Cax online generator

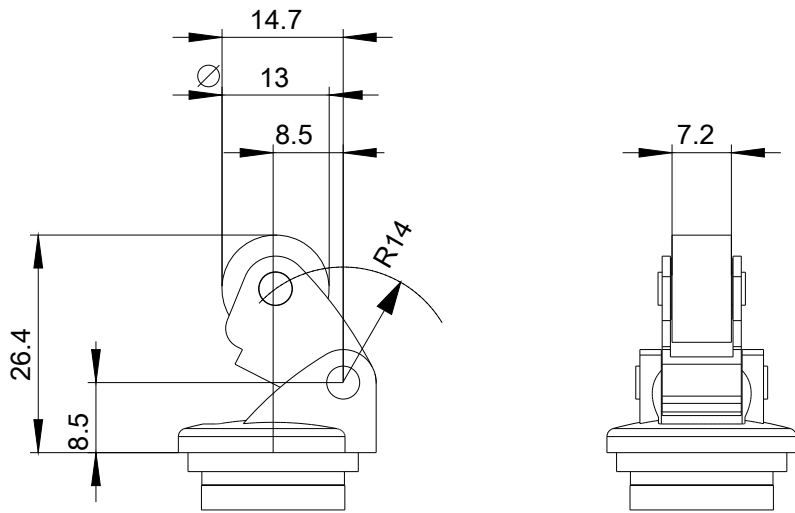
<http://support.automation.siemens.com/WW/CAXorder/default.aspx?lang=en&mlfb=3SE5000-0AE13>

Service&Support (Manuals, Certificates, Characteristics, FAQs,...)

<https://support.industry.siemens.com/cs/ww/en/ps/3SE5000-0AE13>

Image database (product images, 2D dimension drawings, 3D models, device circuit diagrams, EPLAN macros, ...)

http://www.automation.siemens.com/bilddb/cax_de.aspx?mlfb=3SE5000-0AE13&lang=en



last modified:

10/07/2016