

LV HRC fuse link, NH000, In: 25 A, gG, Un AC: 500 V, Un DC: 250 V, Combination indicator, non-insulated grip lugs



Figure similar

Model		
product brandname		SETRON
Product designation		LV HRC fuse link
Design of an identification indicator		Combination alarms
Design of the switching contact		Non-corroding, silver-plated
Design of the fuse link		LV HRC fuse link
General technical data		
Size of fuse system / acc. to DIN EN 60269-1		NH000
Operating class of the fuse link		gG
circuit-breaker / Design		3NA7
Supply voltage		
• at AC / rated value	V	500
• at DC	V	250
Protection class		
Protection class IP		IP20, with connected conductors
Switching capacity		

Switching capacity current		
• at DC / acc. to IEC 60947-2 / rated value	kA	25
• acc. to IEC 60947-2 / rated value	kA	120

Dissipation

Power loss [W]		
• for rated value of the current / at AC / in hot operating state / per pole	W	2.3

Electricity

rated current I _n / IEC, DIN/VDE / at 40 Cel	A	23.75
Current / at AC / rated value	A	25

Mechanical Design

Mounting position		Any, preferably vertical
Net weight	g	130

Environmental conditions

Ambient temperature		
• minimum	°C	-5
• maximum	°C	40
• during storage / Note		Air humidity 90% at 20 °C
Environmental category		-20 to +50 at 95% relative humidity

Certificates

Equipment marking		
• acc. to DIN EN 61346-2		F
• acc. to DIN EN 81346-2		F

General Product Approval	Declaration of Conformity	Test Certificates
---------------------------------	----------------------------------	--------------------------



KEMA



VDE



EG-Konf.

[spezielle Prüfbescheinigungen](#)

[Typprüfbescheinigung/Werkszeugnis](#)

Test Certificates	Shipping Approval	other
--------------------------	--------------------------	--------------

[sonstig](#)

[sonstig](#)



GL

Further information

Information- and Downloadcenter (Catalogs, Brochures,...)
<http://www.siemens.com/lowvoltage/catalogs>

Industry Mall (Online ordering system)

<https://eb.automation.siemens.com/mall/en/WW/Catalog/Product/3NA7810>

Service&Support (Manuals, Certificates, Characteristics, FAQs,...)

<http://support.automation.siemens.com/WW/view/en/3NA7810/all>

Image database (product images, 2D dimension drawings, 3D models, device circuit diagrams, ...)

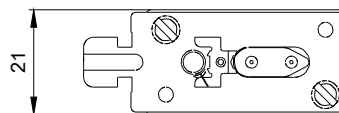
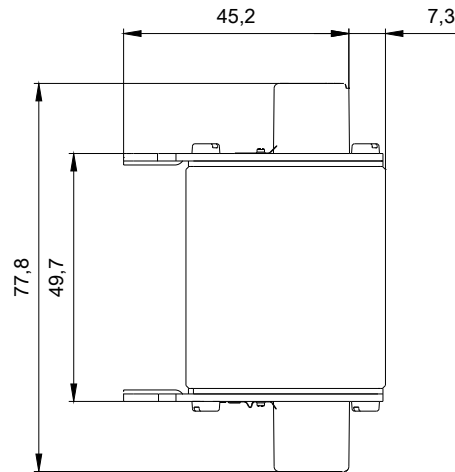
http://www.automation.siemens.com/bilddb/cax_en.aspx?mlfb=3NA7810

CAX-Online-Generator

<http://www.siemens.com/cax>

Tender specifications

<http://ausschreibungstexte.siemens.com/tiplv>



last modified:

09/22/2016