

LABELING PLATE FOR POTENTIOMETER, LABEL BLACK, LETTERING WHITE, WITH INSCRIPTION: WITH GRAPHIC SYMBOL: STARTING

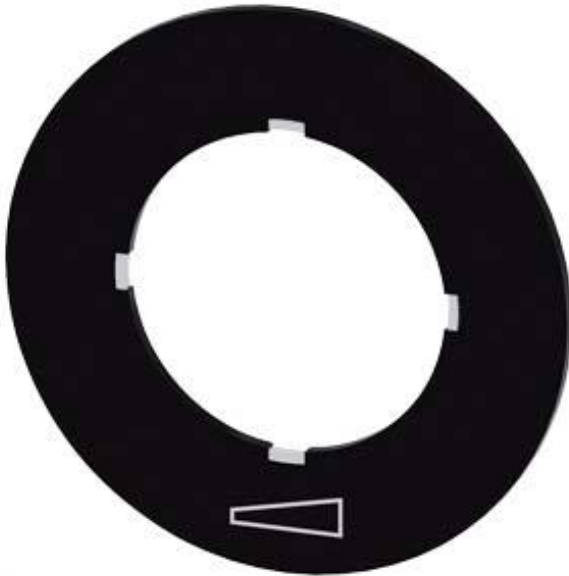


Figure similar

product brand name	SIRIUS ACT
Product designation	Commanding and signaling devices
Design of the product	Label for potentiometer

General technical data:

Protection class IP	IP66, IP67, IP69(IP69K)
Shock resistance	Category 1, Class B
<ul style="list-style-type: none"> for railway applications acc. to DIN EN 61373 	
Vibration resistance	Category 1, Class B
<ul style="list-style-type: none"> for railway applications acc. to DIN EN 61373 	

Accessories:

Material of accessory	Plastic
Mounting type of label	without
Marking of the name plate for command devices	SYMBOL: Run-up (for potentiometer)
Shape of the name plate for command devices	round
Color of the label	black/white (plate/text)
Printed ISO symbols	SYMBOL: Run-up (for potentiometer)

Certificates/approvals

General Product Approval	Declaration of Conformity	Test Certificates
--------------------------	---------------------------	-------------------



[Werksbescheinigung](#)

[spezielle Prüfbescheinigungen](#)

other

[Bestätigungen](#)

Further information

Information- and Downloadcenter (Catalogs, Brochures,...)

<http://www.siemens.com/industrial-controls/catalogs>

Industry Mall (Online ordering system)

<https://mall.industry.siemens.com/mall/en/en/Catalog/product?mlfb=3SU1900-0BG16-0RU0>

Cax online generator

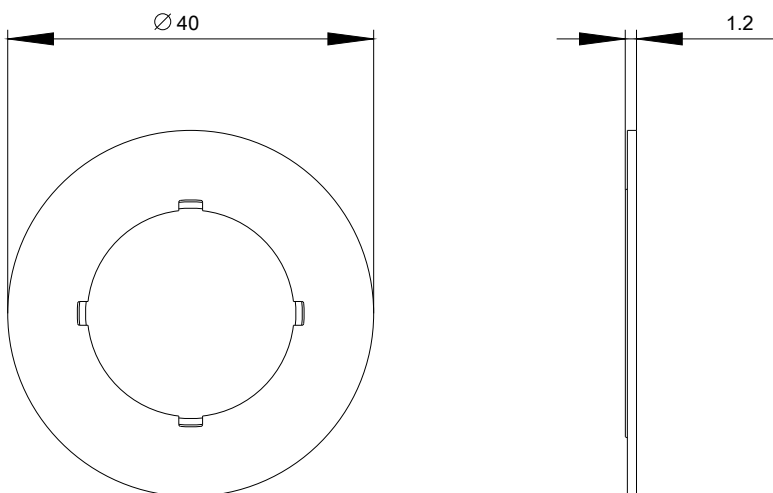
<http://support.automation.siemens.com/WW/CAXorder/default.aspx?lang=en&mlfb=3SU1900-0BG16-0RU0>

Service&Support (Manuals, Certificates, Characteristics, FAQs,...)

<https://support.industry.siemens.com/cs/ww/en/ps/3SU1900-0BG16-0RU0>

Image database (product images, 2D dimension drawings, 3D models, device circuit diagrams, EPLAN macros, ...)

http://www.automation.siemens.com/bilddb/cax_de.aspx?mlfb=3SU1900-0BG16-0RU0&lang=en



last modified:

08/13/2016