

SAFETY POSITION SWITCHES WITH SOLENOID INTERLOCKING LOCK. FORCE 2600N,5 APPR. DIR. METAL HOUSING,3X(M20X1.5) SPRING-LOCKED, AUXILIARY RELEASE W. LOCK MAGNET VOLTAGE 24V DC, MONITOR. OF ACTUATOR 2NC/1NO, MONITOR. OF MAGNET 2NC/1NO LEDS YELLOW/GREEN



Figure similar

<b>Product designation</b>	position switch with tumbler
<b>Design of the product</b>	with separate actuator and with tumbler
<b>Manufacturer's article number</b>	3SE5000-0AV01 standard actuator, 3SE5000-0AV02 actuator with vertical mounting, 3SE5000-0AV03 actuator with transverse mounting, 3SE5000-0AV04 radius actuator left, 3SE5000-0AV05 universal actuator, 3SE5000-0AV06 radius actuator right, 3SE5000-0AV07 heavy duty actuator
<ul style="list-style-type: none"> <li>of the optional actuators</li> </ul>	

General technical data:	
<b>Product function</b>	Yes
<ul style="list-style-type: none"> <li>positive opening</li> </ul>	
<b>Insulation voltage</b>	250 V
<ul style="list-style-type: none"> <li>rated value</li> </ul>	
<b>Degree of pollution</b>	class 3
<b>Surge voltage resistance rated value</b>	4 kV
<b>Protection class IP</b>	IP66/IP67
<b>Shock resistance</b>	30g / 11 ms
<ul style="list-style-type: none"> <li>acc. to IEC 60068-2-27</li> </ul>	30 g / 11 ms

<b>Vibration resistance</b> • acc. to IEC 60068-2-6	0.35 mm / 5g 0.35 mm/5g
<b>Mechanical service life (switching cycles)</b> • typical	1 000 000
<b>Electrical endurance (switching cycles) with contactor 3RH11, 3RT1016, 3RT1017, 3RT1024, 3RT1025, 3RT1026 typical</b>	1 000 000
<b>Electrical operating cycles in one hour with contactor 3RH11, 3RT1016, 3RT1017, 3RT1024, 3RT1025, 3RT1026</b>	6 000
<b>Thermal current</b>	6 A
<b>Material of the enclosure of the switch head</b>	metal
<b>Equipment marking</b> • acc. to DIN EN 61346-2 • acc. to DIN EN 81346-2	B B
<b>Continuous current of the C characteristic MCB</b>	1 A; for a short-circuit current smaller than 400 A
<b>Continuous current of the quick DIAZED fuse link</b>	10 A; for a short-circuit current smaller than 400 A
<b>Continuous current of the DIAZED fuse link gG</b>	6 A; for a short-circuit current smaller than 400 A
<b>Locking force</b> • acc. to DIN EN ISO 14119	2 600 N 2 000 N
<b>Repeat accuracy</b>	0.05 mm
<b>Minimum actuating force in activation direction</b>	30 N
<b>Operating current at AC-15</b> • at 24 V rated value • at 125 V rated value • at 230 V rated value	6 A 3 A 1.5 A
<b>Operating current at DC-13</b> • at 24 V rated value • at 125 V rated value • at 230 V rated value	3 A 0.55 A 0.27 A

<b>Enclosure:</b>	
<b>Design of the housing</b>	special design
<b>Material of the enclosure</b>	metal
<b>Coating of the enclosure</b>	cathodic immersion coating
<b>Design of the housing acc. to standard</b>	No

<b>Drive Head:</b>	
<b>Design of the operating mechanism</b>	5 directions of approach
<b>Design of the switching function</b>	positive opening
<b>Number of actuation directions</b>	5

<b>Connections/ Terminals:</b>	
<b>Type of electrical connection</b>	screw-type terminals

<b>Mechanical data:</b>	
-------------------------	--

<b>Cable entry type</b>	3 x (M20 x 1.5)
<b>Locking mechanism design</b>	spring-actuated lock (closed-circuit principle) with auxiliary release and lock

#### Communication/ Protocol:

<b>Design of the interface</b>	without
--------------------------------	---------

#### Ambient conditions:

<b>Ambient temperature</b>	
<ul style="list-style-type: none"> <li>during operation</li> </ul>	-25 ... +60 °C
<ul style="list-style-type: none"> <li>during storage</li> </ul>	-40 ... +80 °C

#### Supply voltage:

<b>Type of voltage of the supply voltage</b>	
<ul style="list-style-type: none"> <li>of the optional LED indicator</li> </ul>	DC
<b>Supply voltage</b>	
<ul style="list-style-type: none"> <li>of LED</li> </ul>	24 V
<b>Supply voltage of magnet coil</b>	24 V

#### Installation/ mounting/ dimensions:

<b>Mounting position</b>	any
<b>Mounting type</b>	screw fixing

#### Certificates/approvals

<b>General Product Approval</b>	<b>Functional Safety/Safety of Machinery</b>	<b>Declaration of Conformity</b>
 CCC	 CSA	 UL
		 EG-Konf.

[Baumusterprüfbescheinigung](#)

<b>Test Certificates</b>	<b>other</b>
--------------------------	--------------

[spezielle Prüfbescheinigung](#)  
[n](#)

[Bestätigungen](#)

#### Further information

##### Information- and Downloadcenter (Catalogs, Brochures,...)

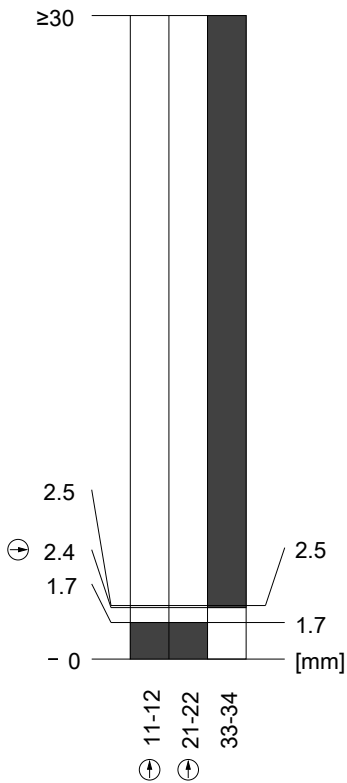
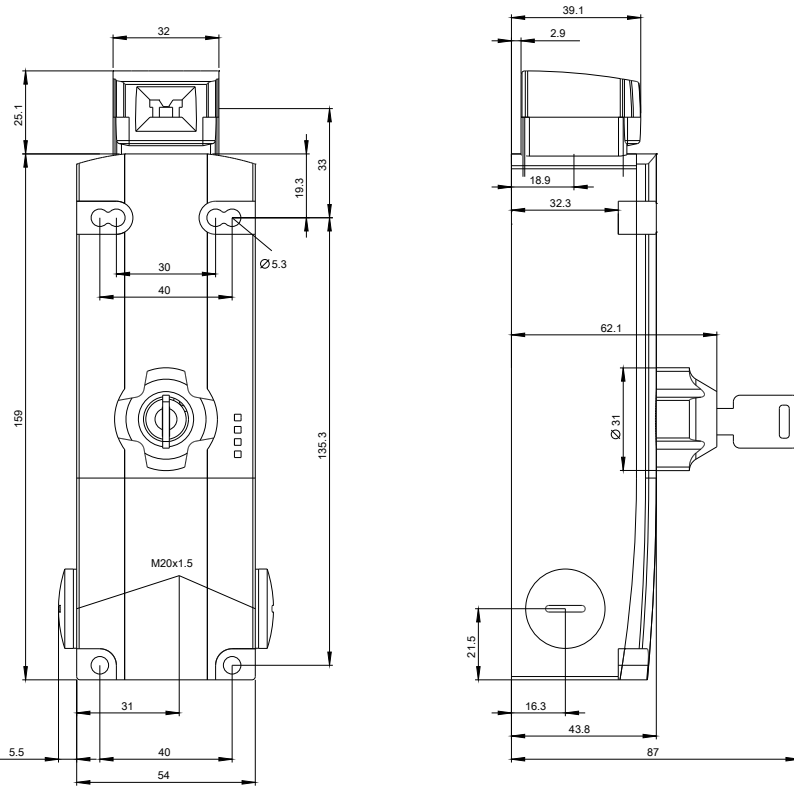
<http://www.siemens.com/industrial-controls/catalogs>

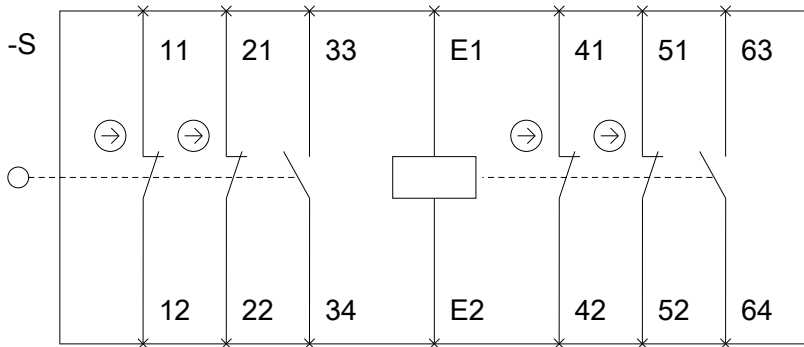
##### Industry Mall (Online ordering system)

<https://mall.industry.siemens.com/mall/en/en/Catalog/product?mlfb=3SE5312-1SE11>

##### Cax online generator

<http://support.automation.siemens.com/WW/CAXorder/default.aspx?lang=en&mlfb=3SE5312-1SE11>





last modified:

07/08/2016