

FI/LS-PROTECTOR TYPE A (PSE/SSF), D=70MM IFN  
30MA,4.5KA, 1+N-POLEE C 6A



Figure similar

Model		
product brand name		SENTRON
Product designation		RCBO
Design of the product		Instantaneous
General technical data		
Number of poles		2
Number of poles / Note		1P+N
Number of poles / with protection		1
Tripping characteristic class		C
circuit-breaker / Design		5SU1
Mechanical service life (switching cycles) / typical		10 000
Overvoltage category		III
Voltage		
Surge current resistance / at (8/20) $\mu$ s	kA	1
Supply voltage		
Supply voltage		

• at AC / rated value	V	230
• for testing equipment / minimum	V	195
Supply voltage frequency / rated value	Hz	50

#### Protection class

<b>Protection class IP</b>		IP20, if the distribution board is installed, with connected conductors
<b>Energy limiting class</b>		3

#### Switching capacity

<b>Switching capacity current</b>		
• acc. to EN 60898 / rated value	kA	4.5
• acc. to IEC 60947-2 / rated value	kA	6

#### Dissipation

<b>Power loss [W]</b>		
• for rated value of the current / at AC / in hot operating state / per pole	W	1.9
• maximum	W	3.8

#### Electricity

<b>Tripping residual current / rated value</b>	mA	30
rated current $I_n$ / IEC, DIN/VDE / at 40 Cel	A	5.7
<b>Type of fault current</b>		A
Current / at AC / rated value	A	6

#### Product details

Product feature / Touch protection		Yes
<b>Product feature</b>		
• halogen-free		Yes
• silicon-free		Yes

#### Product function

Product function / neutral conductor switching		Yes
--	--	-----

#### Number

<b>Number of test cycles / for environmental testing / acc. to IEC 60068-2-30</b>		26
---	--	----

#### Connections

<b>Connectable conductor cross-section / stranded</b>		
• minimum	mm <sup>2</sup>	0.75
• maximum	mm <sup>2</sup>	35
<b>Connectable conductor cross-section</b>		
• solid		
— minimum	mm <sup>2</sup>	0.75
— maximum	mm <sup>2</sup>	35
• finely stranded / with core end processing		

— minimum	mm <sup>2</sup>	0.75
— maximum	mm <sup>2</sup>	25
<b>Tightening torque / with screw-type terminals</b>		
• minimum	N·m	2.5
• maximum	N·m	3
Position / of power supply cord		Either top or bottom

Mechanical Design		
Height	mm	90
Width	mm	36
Depth	mm	77
Mounting position		any
Installation depth	mm	70
Number of width units		2
Net weight	g	286

Environmental conditions		
Influence of the surrounding temperature		Max. 95% humidity
Ambient temperature		
• minimum	°C	-25
• maximum	°C	55
• during storage / minimum	°C	-40
• during storage / maximum	°C	75

Certificates		
Equipment marking		
• acc. to DIN EN 61346-2		F
• acc. to DIN EN 81346-2		F

**General Product Approval**



[sonstig](#)



General Product Approval	Declaration of Conformity
--------------------------	---------------------------

[RCM](#)



**Further information**

**Information- and Downloadcenter (Catalogs, Brochures,...)**

<http://www.siemens.com/lowvoltage/catalogs>

**Industry Mall (Online ordering system)**

<https://eb.automation.siemens.com/mall/en/WW/Catalog/Product/5SU1353-7KK06>

**Service&Support (Manuals, Certificates, Characteristics, FAQs,...)**

<http://support.automation.siemens.com/WW/view/en/5SU1353-7KK06/all>

**Image database (product images, 2D dimension drawings, 3D models, device circuit diagrams, ...)**

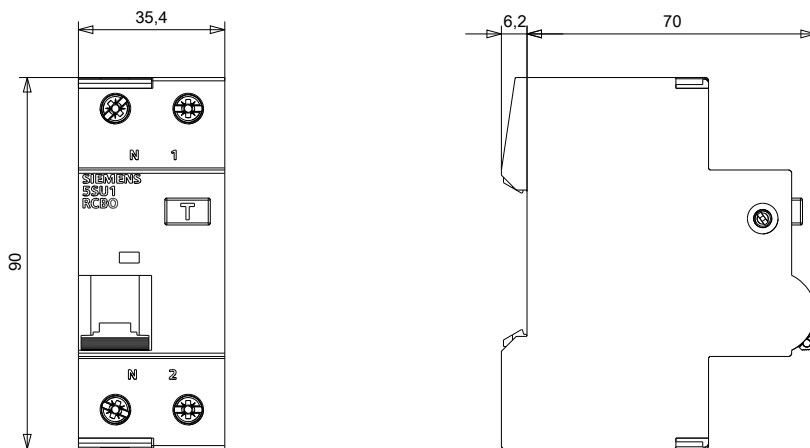
[http://www.automation.siemens.com/bilddb/cax\\_en.aspx?mfb=5SU1353-7KK06](http://www.automation.siemens.com/bilddb/cax_en.aspx?mfb=5SU1353-7KK06)

**CAX-Online-Generator**

<http://www.siemens.com/cax>

**Tender specifications**

<http://ausschreibungstexte.siemens.com/tiplv>



**last modified:**

07/09/2016