

CURRENT TRANSFORMER 20...200 A FOR 3RB22/23/24 SIZE S6
MOUNT. ONTO CONT./ STAND-ALONE MAIN CIRCUIT:
THROUGH TRANSF. AUX. CIRCUIT: --



Product designation	Current measuring module for overload relay
General technical data:	
Type of protection	PTB 05 ATEX 3022 Ex II (2) GD
Main circuit:	
Adjustable pick-up value current of the current-dependent overload release	20 ... 200 A
Installation/ mounting/ dimensions:	
Mounting type	direct mounting / stand-alone installation
Connections/ Terminals:	
Type of electrical connection	straight-through transformers
• for main current circuit	
Certificates/approvals	

General Product Approval	For use in hazardous locations	Declaration of Conformity
--------------------------	--------------------------------	---------------------------



Test Certificates	Shipping Approval
-------------------	-------------------

[Typprüfbescheinigung/Werkszeugnis](#)

[spezielle Prüfbescheinigung](#)
[n](#)



Shipping Approval	other
-------------------	-------



[Umweltbestätigung](#)

[Bestätigungen](#)

Further information

Information- and Downloadcenter (Catalogs, Brochures,...)

<http://www.siemens.com/industrial-controls/catalogs>

Industry Mall (Online ordering system)

<https://mall.industry.siemens.com/mall/en/en/Catalog/product?mlfb=3RB29562TG2>

Cax online generator

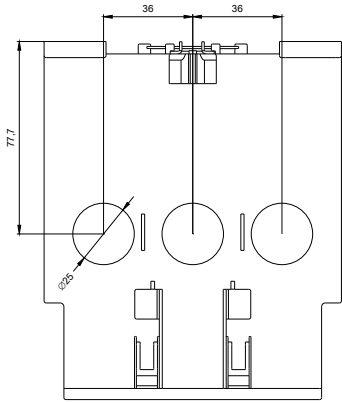
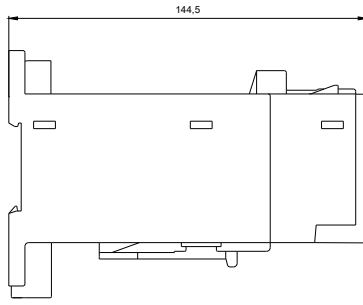
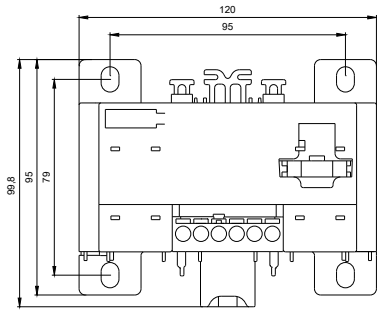
<http://support.automation.siemens.com/WW/CAXorder/default.aspx?lang=en&mlfb=3RB29562TG2>

Service&Support (Manuals, Certificates, Characteristics, FAQs,...)

<https://support.industry.siemens.com/cs/ww/en/ps/3RB29562TG2>

Image database (product images, 2D dimension drawings, 3D models, device circuit diagrams, EPLAN macros, ...)

http://www.automation.siemens.com/bilddb/cax_de.aspx?mlfb=3RB29562TG2&lang=en



last modified:

09.06.2016