

ID KEY-OPERATED SWITCH, 22MM, ROUND, PLASTIC WITH METAL FRONT RING, BLACK, RFID, 4 SWITCH POSITIONS O-I-II-III, ACTUATING ANGLE 3X45 DEG., WITHOUT ID KEY



Figure similar

product brand name	SIRIUS ACT
Product designation	Commanding and signaling devices
Design of the product	ID Key Switch

Actuator:	
Design of the operating mechanism	ID key switch (codable)
Manner of function of the actuating element	Latching
Product extension optional Light source	No
Color	
• of the actuating element	black
Material of the actuating element	plastic
Shape of the actuating element	round
Outer diameter of the actuating element	29.5 mm
Number of switching positions	4
Switch position for key distraction	Key removal possible in all 4 positions

Front ring:	
Product component front ring	Yes
Design of the front ring	Standard

Material of the front ring	Metal, matt
Color of the front ring	sand gray

#### General technical data:

Protection class IP	IP65
Mechanical service life (switching cycles)	
• typical	100 000
Equipment marking	
• acc. to DIN EN 61346-2	S
• acc. to DIN EN 81346-2	S

#### Connections/ Terminals:

Tightening torque of the screws in the bracket	1 ... 1.2 N·m
--	---------------





#### Ambient conditions:

Ambient temperature	
• during operation	-25 ... +70 °C
• during storage	-40 ... +80 °C
Environmental category during operation acc. to IEC 60721	3M6, 3S2, 3B2, 3C3, 3K6 (with relative air humidity of 10 ... 95 %)

#### Installation/ mounting/ dimensions:

Height	29.5 mm
Width	29.5 mm
Mounting diameter	22.3 mm
Positive tolerance of installation diameter	0.4 mm
Mounting height	29.6 mm
Installation width	29.5 mm
Installation depth	29.5 mm

#### Certificates/approvals

General Product Approval	EMC	Declaration of Conformity	Test Certificates
 CSA	 UL		 EG-Konf.
	<a href="#">EG-Konformitätserklärung EMV</a>		<a href="#">Werksbescheinigungen</a>

Test Certificates	other
<a href="#">spezielle Prüfbescheinigungen</a>	<a href="#">Bestätigungen</a>

## Further information

### Information- and Downloadcenter (Catalogs, Brochures,...)

<http://www.siemens.com/industrial-controls/catalogs>

### Industry Mall (Online ordering system)

<https://mall.industry.siemens.com/mall/en/en/Catalog/product?mfb=3SU10304WS100AA0>

### Cax online generator

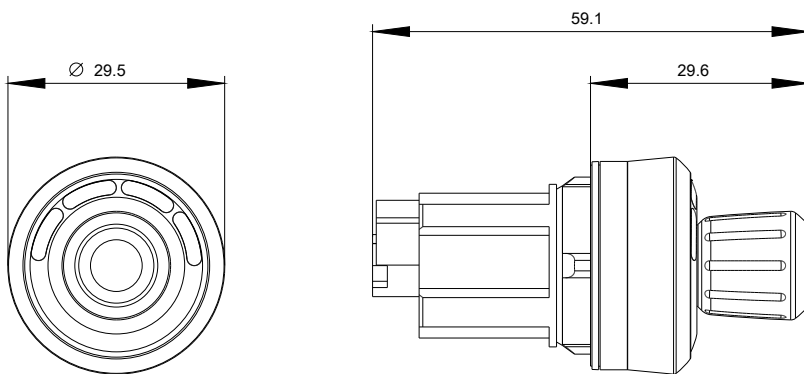
<http://support.automation.siemens.com/WW/CAXorder/default.aspx?lang=en&mfb=3SU10304WS100AA0>

### Service&Support (Manuals, Certificates, Characteristics, FAQs,...)

<https://support.industry.siemens.com/cs/ww/en/ps/3SU10304WS100AA0>

### Image database (product images, 2D dimension drawings, 3D models, device circuit diagrams, EPLAN macros, ...)

[http://www.automation.siemens.com/bilddb/cax\\_de.aspx?mfb=3SU10304WS100AA0&lang=en](http://www.automation.siemens.com/bilddb/cax_de.aspx?mfb=3SU10304WS100AA0&lang=en)



last modified:

09.06.2016