

SEALING PLUG FOR UNUSED COMMAND POINTS, PLASTIC, SAND GRAY



Figure similar

product brand name	SIRIUS ACT
Product designation	Commanding and signaling devices
Design of the product	Sealing plug

Actuator:

Shape of the actuating element	round
Outer diameter of the actuating element	29.5 mm

General technical data:

Protection class IP	IP66, IP67, IP69(IP69K)
Degree of protection NEMA rating	NEMA 1, 2, 3, 3R, 4, 4X, 12
Equipment marking	
<ul style="list-style-type: none"> <li>• acc. to DIN EN 61346-2</li> </ul>	S
<ul style="list-style-type: none"> <li>• acc. to DIN EN 81346-2</li> </ul>	S

Ambient conditions:

Ambient temperature	
<ul style="list-style-type: none"> <li>• during operation</li> </ul>	-25 ... +70 °C
<ul style="list-style-type: none"> <li>• during storage</li> </ul>	-40 ... +80 °C
Environmental category during operation acc. to IEC 60721	3M6, 3S2, 3B2, 3C3, 3K6 (with relative air humidity of 10 ... 95 %)

#### Installation/ mounting/ dimensions:

Shape of the installation opening	round
Mounting diameter	22.3 mm
Mounting height	6.5 mm
Installation width	29.5 mm
Installation depth	24.2 mm

#### Accessories:

Material of accessory	Metal
Color of accessory	sand gray

#### Certificates/approvals

General Product Approval	Declaration of Conformity	Test Certificates	other
--------------------------	---------------------------	-------------------	-------



EG-Konf.

[Werksbescheinigung](#)

[spezielle Prüfbescheinigungen](#)

[Bestätigungen](#)

#### Further information

##### Information- and Downloadcenter (Catalogs, Brochures,...)

<http://www.siemens.com/industrial-controls/catalogs>

##### Industry Mall (Online ordering system)

<https://mall.industry.siemens.com/mall/en/en/Catalog/product?mlfb=3SU19300FA800AA0>

##### Cax online generator

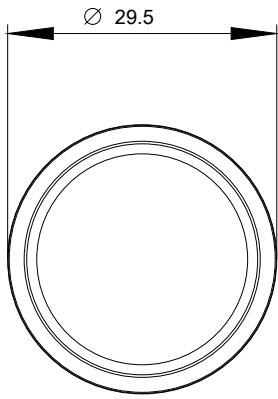
<http://support.automation.siemens.com/WW/CAXorder/default.aspx?lang=en&mlfb=3SU19300FA800AA0>

##### Service&Support (Manuals, Certificates, Characteristics, FAQs,...)

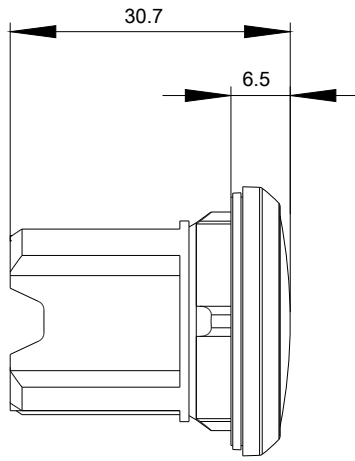
<https://support.industry.siemens.com/cs/ww/en/ps/3SU19300FA800AA0>

##### Image database (product images, 2D dimension drawings, 3D models, device circuit diagrams, EPLAN macros, ...)

[http://www.automation.siemens.com/bilddb/cax\\_de.aspx?mlfb=3SU19300FA800AA0&lang=en](http://www.automation.siemens.com/bilddb/cax_de.aspx?mlfb=3SU19300FA800AA0&lang=en)



last modified:



06.06.2016