

SELECTOR SWITCH, CAN BE ILLUM., 22MM, ROUND, METAL, SHINY, WHITE, SHORT SELECTOR SWITCH, 2 SWITCH POSITIONS O-I, LATCHING, ACTUATING ANGLE 90 DEG., 10:30H/13:30H



Figure similar

|                       |                             |
|-----------------------|-----------------------------|
| product brand name    | SIRIUS ACT                  |
| Product designation   | Control and signaling units |
| Design of the product | Selector switch             |

Enclosure:

|                          |   |
|--------------------------|---|
| Number of command points | 1 |
|--------------------------|---|

Actuator:

|   |                                     |
|---|-------------------------------------|
| Design of the operating mechanism           | Selector switch, short black handle |
| Manner of function of the actuating element | maintained, 90° (10:30h/13:30h)     |
| Product extension optional Light source     | Yes                                 |
| Color of the actuating element              | White                               |
| Material of the actuating element           | plastic                             |
| Shape of the actuating element              | Handle                              |
| Outer diameter of the actuating element     | 32.3 mm                             |
| Number of switching positions               | 2                                   |
| Actuating angle                             | 90°                                 |
| • clockwise                                 |                                     |

Front ring:

|                              |     |
|------------------------------|-----|
| Product component front ring | Yes |
|------------------------------|-----|

|                                   |                   |
|-----------------------------------|-------------------|
| <b>Design of the front ring</b>   | standard          |
| <b>Material of the front ring</b> | Metal, high gloss |
| <b>Color of the front ring</b>    | silver            |

#### General technical data:

|   |                                   |
|---|-----------------------------------|
| <b>Protection class IP</b>                        | IP66, IP67, IP69(IP69K)           |
| <b>Degree of protection NEMA rating</b>           | NEMA 1, 2, 3, 3R, 4, 4X, 12       |
| <b>Shock resistance</b>                           |                                   |
| • acc. to IEC 60068-2-27                          | Sinusoidal half-wave 50 g / 11 ms |
| <b>Vibration resistance</b>                       |                                   |
| • acc. to IEC 60068-2-6                           | 10 ... 500 Hz: 5g                 |
| <b>Operating frequency maximum</b>                | 1 800 1/h                         |
| <b>Mechanical service life (switching cycles)</b> |                                   |
| • typical   | 300 000                           |
| <b>Equipment marking</b>                          |                                   |
| • acc. to DIN EN 61346-2                          | S                                 |
| • acc. to DIN EN 81346-2                          | S                                 |

#### Ambient conditions:

|  |   |
|--|---|
| <b>Ambient temperature</b>                                       |   |
| • during operation   | -25 ... +70 °C  |
| • during storage   | -40 ... +80 °C  |
| <b>Environmental category during operation acc. to IEC 60721</b> | 3M6, 3S2, 3B2, 3C3, 3K6 (with relative air humidity of 10 ... 95 %) |

#### Installation/ mounting/ dimensions:

|  |         |
|--|---------|
| <b>Height</b>                                      | 32.3 mm |
| <b>Width</b>                                       | 32.3 mm |
| <b>Shape of the installation opening</b>           | round   |
| <b>Mounting diameter</b>                           | 22.3 mm |
| <b>Positive tolerance of installation diameter</b> | 0.4 mm  |
| <b>Mounting height</b>                             | 28.8 mm |
| <b>Installation width</b>                          | 32.3 mm |
| <b>Installation depth</b>                          | 25.4 mm |

#### Certificates/approvals

| General Product Approval | Declaration of Conformity | Test Certificates |
|--------------------------|---------------------------|-------------------|
|--------------------------|---------------------------|-------------------|



[Werksbescheinigung](#)

[spezielle Prüfbescheinigungen](#)

**other**

[Bestätigungen](#)

**Further information**

**Information- and Downloadcenter (Catalogs, Brochures,...)**

<http://www.siemens.com/industrial-controls/catalogs>

**Industry Mall (Online ordering system)**

<https://mall.industry.siemens.com/mall/en/en/Catalog/product?mlfb=3SU10522BF600AA0>

**Cax online generator**

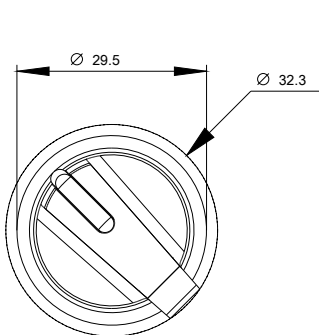
<http://support.automation.siemens.com/WW/CAXorder/default.aspx?lang=en&mlfb=3SU10522BF600AA0>

**Service&Support (Manuals, Certificates, Characteristics, FAQs,...)**

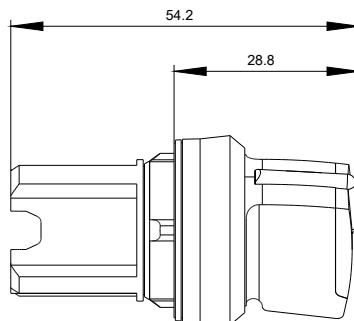
<https://support.industry.siemens.com/cs/ww/en/ps/3SU10522BF600AA0>

**Image database (product images, 2D dimension drawings, 3D models, device circuit diagrams, EPLAN macros, ...)**

[http://www.automation.siemens.com/bilddb/cax\\_de.aspx?mlfb=3SU10522BF600AA0&lang=en](http://www.automation.siemens.com/bilddb/cax_de.aspx?mlfb=3SU10522BF600AA0&lang=en)



last modified:



06.06.2016