

INDICATOR LIGHT, 22MM, ROUND, METAL, SHINY, WHITE, SMOOTH LENS



Figure similar

|                       |                                  |
|-----------------------|----------------------------------|
| product brand name    | SIRIUS ACT                       |
| Product designation   | Commanding and signaling devices |
| Design of the product | Pilot Light                      |

#### Actuator:

|  |          |
|--|----------|
| Color  |          |
| <ul style="list-style-type: none"> <li>of the actuating element</li> </ul> | White    |
| Material of the actuating element  | plastic  |
| Shape of the actuating element   | round    |
| Outer diameter of the actuating element                                    | 29.45 mm |

#### Front ring:

|                              |    |
|------------------------------|----|
| Product component front ring | No |
|------------------------------|----|

#### General technical data:

|  |                                   |
|--|-----------------------------------|
| Protection class IP  | IP66, IP67, IP69(IP69K)           |
| Degree of protection NEMA rating   | NEMA 1, 2, 3, 3R, 4, 4X, 12       |
| Shock resistance   |                                   |
| <ul style="list-style-type: none"> <li>acc. to IEC 60068-2-27</li> </ul> | Sinusoidal half-wave 50 g / 11 ms |
| Vibration resistance   |                                   |
| <ul style="list-style-type: none"> <li>acc. to IEC 60068-2-6</li> </ul>  | 10 ... 500 Hz: 5g                 |

|                          |   |
|--------------------------|---|
| <b>Equipment marking</b> |   |
| • acc. to DIN EN 61346-2 | P |
| • acc. to DIN EN 81346-2 | P |

#### Connections/ Terminals:

|   |               |
|---|---------------|
| <b>Tightening torque of the screws in the bracket</b> | 1 ... 1.2 N·m |
|---|---------------|





#### Ambient conditions:

|  |   |
|--|---|
| <b>Ambient temperature</b>                                       |   |
| • during operation   | -25 ... +70 °C  |
| • during storage   | -40 ... +80 °C  |
| <b>Environmental category during operation acc. to IEC 60721</b> | 3M6, 3S2, 3B2, 3C3, 3K6 (with relative air humidity of 10 ... 95 %) |

#### Installation/ mounting/ dimensions:

|  |         |
|--|---------|
| <b>Height</b>                                      | 29.5 mm |
| <b>Width</b>                                       | 29.5 mm |
| <b>Shape of the installation opening</b>           | round   |
| <b>Mounting diameter</b>                           | 22.3 mm |
| <b>Positive tolerance of installation diameter</b> | 0.4 mm  |
| <b>Mounting height</b>                             | 11.8 mm |
| <b>Installation width</b>                          | 29.5 mm |
| <b>Installation depth</b>                          | 24.4 mm |

#### Certificates/approvals

| General Product Approval  | Declaration of Conformity   | Test Certificates   |
|---|---|---|
|  CSA<br> UL |  EAC<br> EG-Konf. | <a href="#">Werksbescheinigung</a><br><a href="#">gen</a><br><a href="#">spezielle Prüfbescheinigung</a><br><a href="#">n</a> |

#### other

[Bestätigungen](#)

#### Further information

##### Information- and Downloadcenter (Catalogs, Brochures,...)

<http://www.siemens.com/industrial-controls/catalogs>

##### Industry Mall (Online ordering system)

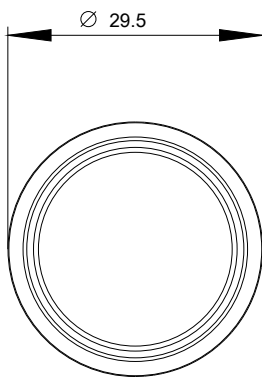
<https://mall.industry.siemens.com/mall/en/en/Catalog/product?mlfb=3SU10516AA600AA0>

##### Cax online generator

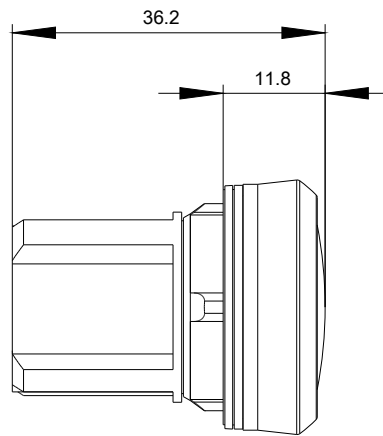
<http://support.automation.siemens.com/WW/CAXorder/default.aspx?lang=en&mlfb=3SU10516AA600AA0>

##### Service&Support (Manuals, Certificates, Characteristics, FAQs,...)

<https://support.industry.siemens.com/cs/ww/en/ps/3SU10516AA600AA0>



last modified:



06.06.2016