

OUTPUT COUPLING DEVICE, OPTOCOUPLER 1 NO CONTACT, TRANSISTOR, 24V DC OUTPUT MAX 30V DC, 5A SCREW TERMINAL, WIDTH 6.2MM



Figure similar

product brand name		SIRIUS
General technical data:		
Product component Plug-in socket		No
Product component Relay output		No
Product component semi-conductor output		Yes
Consumed active power	W	0.3
Insulation voltage for overvoltage category III according to IEC 60664		
• with degree of pollution 3 rated value	V	50
Type of voltage		DC
Thermal current	A	5
Design of the switching function positively driven		No
Voltage drop when switched through maximum	mV	80
Switching voltage of the semiconductor output		
• at DC	V	10 ... 30
Ampacity of the semiconductor output		
• at DC	mA	5 ... 5 A
Leakage current of the electronics for control with signal <0>	mA	0.02

Shock resistance acc. to IEC 60068-2-27		sinusoidal half-wave 15g / 11 ms
Vibration resistance acc. to IEC 60068-2-6		6 ... 150 Hz: 2 g
Surge voltage resistance rated value	kV	2.5
Protection class IP		IP20
Equipment marking		
<ul style="list-style-type: none"> • acc. to DIN EN 81346-2 • acc. to DIN EN 61346-2 		K K
Display version LED		Yes

Control circuit/ Control:

Control supply voltage		
<ul style="list-style-type: none"> • at DC rated value 	V	11 ... 30
Operating range factor control supply voltage rated value		
<ul style="list-style-type: none"> • at DC 		1 ... 1

Auxiliary circuit:

Type of electrical connection for auxiliary and control current circuit		screw-type terminals
Number of NO contacts for auxiliary contacts		1

Inputs/ Outputs:

Property of the output Short-circuit proof		Yes
--	--	-----

Electromagnetic compatibility:

EMC emitted interference acc. to IEC 60947-1		ambience A (industrial sector)
EMI immunity acc. to IEC 60947-1		corresponds to degree of severity 3
Field-bound parasitic coupling acc. to IEC 61000-4-3		10 V/m
Conducted interference		
<ul style="list-style-type: none"> • due to conductor-earth surge acc. to IEC 61000-4-5 		2 kV
<ul style="list-style-type: none"> • due to conductor-conductor surge acc. to IEC 61000-4-5 		1 kV
<ul style="list-style-type: none"> • due to burst acc. to IEC 61000-4-4 		2 kV
Electrostatic discharge acc. to IEC 61000-4-2		6 kV contact discharge / 8 kV air discharge

Connections/ Terminals:

Type of connectable conductor cross-sections		
<ul style="list-style-type: none"> • solid 		1x (0.25 ... 2.5 mm ²)
<ul style="list-style-type: none"> • finely stranded with core end processing 		1x (0.25 ... 1.5 mm ²)
<ul style="list-style-type: none"> • at AWG conductors solid 		1 x (20 ... 14)
Connectable conductor cross-section		
<ul style="list-style-type: none"> • solid 	mm ²	0.25 ... 2.5
<ul style="list-style-type: none"> • finely stranded with core end processing 	mm ²	0.25 ... 1.5
AWG number as coded connectable conductor cross section		

• solid		20 ... 14
Tightening torque with screw-type terminals	N·m	0.5 ... 0.6
Wire length		
• at DC maximum	m	1 000

Installation/ mounting/ dimensions:

Mounting position		any
Mounting type		snap-on mounting
Height	mm	93
Width	mm	6.2
Depth	mm	72.5
Required spacing		
• with side-by-side mounting		
— forwards	mm	0
— Backwards	mm	0
— upwards	mm	0
— downwards	mm	0
— at the side	mm	0
• for grounded parts		
— forwards	mm	0
— Backwards	mm	0
— upwards	mm	0
— downwards	mm	0
— at the side	mm	0
• for live parts		
— forwards	mm	0
— Backwards	mm	0
— upwards	mm	0
— downwards	mm	0
— at the side	mm	0

Ambient conditions:

Installation altitude at height above sea level maximum	m	2 000
Ambient temperature		
• during operation	°C	-25 ... +60
• during storage	°C	-40 ... +85
• during transport	°C	-40 ... +85
Relative humidity during operation	%	10 ... 95

Further information

Information- and Downloadcenter (Catalogs, Brochures,...)

<http://www.siemens.com/industrial-controls/catalogs>

Industry Mall (Online ordering system)

<http://www.siemens.com/industrymall>

Cax online generator

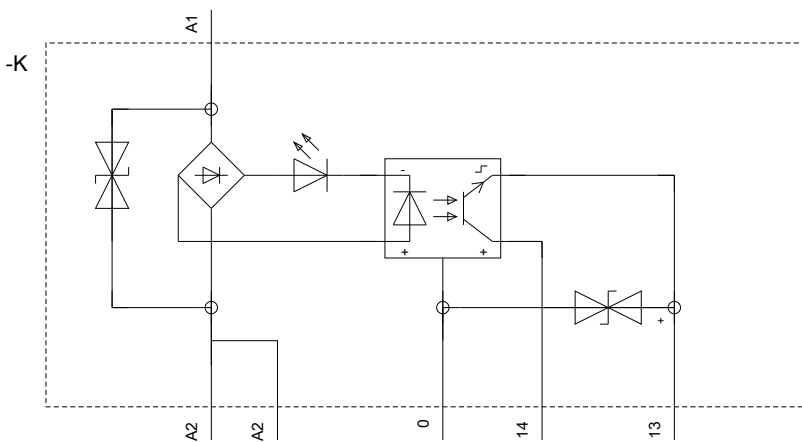
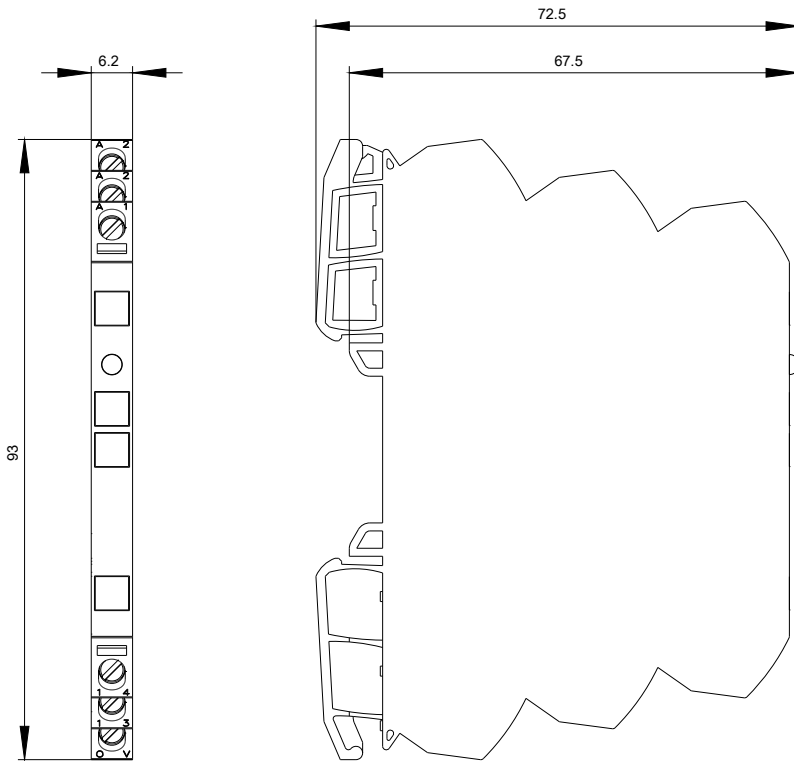
<http://support.automation.siemens.com/WW/CAXorder/default.aspx?lang=en&mfb=3RQ30551SM30>

Service&Support (Manuals, Certificates, Characteristics, FAQs,...)

<https://support.industry.siemens.com/cs/ww/en/ps/3RQ30551SM30>

Image database (product images, 2D dimension drawings, 3D models, device circuit diagrams, EPLAN macros, ...)

http://www.automation.siemens.com/bilddb/cax_de.aspx?mfb=3RQ30551SM30&lang=en



last modified:

23.03.2016