

RONIS KEY-OPERATED SWITCH, 22MM, ROUND, PLASTIC, LOCK NO. SB30, WITH 2 KEYS, 2 SWITCH POSITIONS O-I, LATCHING, ACTUATING ANGLE 90 DEG., 10:30H/13:30H, KEY REMOVAL POS. O+I, POSSIBLE SPECIAL LOCKS: SB31, 421, 455



Figure similar

| | |
|-----------------------|----------------------------------|
| product brand name | SIRIUS ACT |
| Product designation | Commanding and signaling devices |
| Design of the product | Key-operated switch |

| Actuator: | |
|---|---------------------------------|
| Design of the operating mechanism | Key-operated switch |
| Manner of function of the actuating element | latching, 90° (10:30 h/13:30 h) |
| Product extension optional Light source | No |
| Color | |
| • of the actuating element | Silver |
| Material of the actuating element | metal |
| Shape of the actuating element | Key |
| Outer diameter of the actuating element | 29.5 mm |
| Number of switching positions | 2 |
| Switch position for key distraction | O+I |
| Actuating angle | |
| • clockwise | 90° |
| Lock make | RONIS |
| Key number | SB30 |

Front ring:

| | |
|------------------------------|----------|
| Product component front ring | Yes |
| Design of the front ring | Standard |
| Material of the front ring | plastic |
| Color of the front ring | black |

General technical data:

| | |
|---|-----------------------------------|
| Protection class IP | IP66, IP67, IP69(IP69K) |
| • of the terminal | IP20 |
| Degree of protection NEMA rating | NEMA 1, 2, 3, 3R, 4, 4X, 12 |
| Shock resistance | |
| • acc. to IEC 60068-2-27 | Sinusoidal half-wave 50 g / 11 ms |
| • for railway applications acc. to DIN EN 61373 | Category 1, Class B |
| Vibration resistance | |
| • acc. to IEC 60068-2-6 | 10 ... 500 Hz: 5g |
| • for railway applications acc. to DIN EN 61373 | Category 1, Class B |
| Operating frequency maximum | 1 800 1/h |
| Mechanical service life (switching cycles) | |
| • typical | 1 000 000 |
| Equipment marking | |
| • acc. to DIN EN 61346-2 | S |
| • acc. to DIN EN 81346-2 | S |

Ambient conditions:

| | |
|----------------------------|----------------|
| Ambient temperature | |
| • during operation | -25 ... +70 °C |
| • during storage | -40 ... +80 °C |

Installation/ mounting/ dimensions:

| | |
|--|---------|
| Height | 29.5 mm |
| Width | 29.5 mm |
| Shape of the installation opening | round |
| Mounting diameter | 22.3 mm |
| Mounting height | 49.4 mm |
| Installation width | 29.5 mm |
| Installation depth | 25.4 mm |

Certificates/approvals

| | | | |
|--------------------------|--------------------------------|---------------------------|-------------------|
| General Product Approval | For use in hazardous locations | Declaration of Conformity | Test Certificates |
|--------------------------|--------------------------------|---------------------------|-------------------|



[Herstellereklärung](#)



[Werksbescheinigung](#)

| | |
|-------------------|-------|
| Test Certificates | other |
|-------------------|-------|

[spezielle Prüfbescheinigung](#)

[Bestätigungen](#)

Further information

Information- and Downloadcenter (Catalogs, Brochures,...)

<http://www.siemens.com/industrial-controls/catalogs>

Industry Mall (Online ordering system)

<https://mall.industry.siemens.com/mall/en/en/Catalog/product?mlfb=3SU10004BF110AA0>

Cax online generator

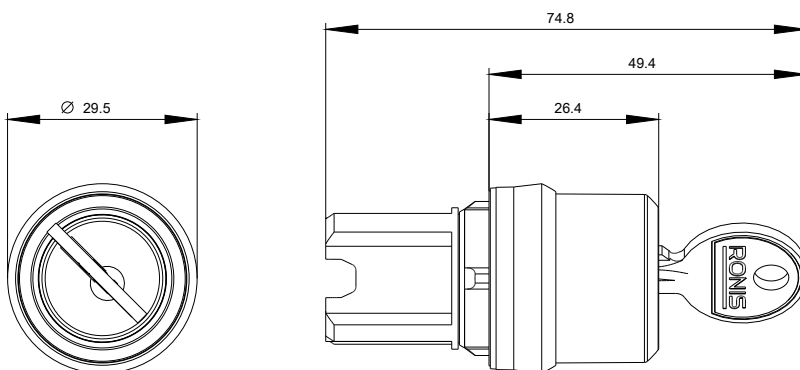
<http://support.automation.siemens.com/WW/CAXorder/default.aspx?lang=en&mlfb=3SU10004BF110AA0>

Service&Support (Manuals, Certificates, Characteristics, FAQs,...)

<https://support.industry.siemens.com/cs/ww/en/ps/3SU10004BF110AA0>

Image database (product images, 2D dimension drawings, 3D models, device circuit diagrams, EPLAN macros, ...)

http://www.automation.siemens.com/bilddb/cax_de.aspx?mlfb=3SU10004BF110AA0&lang=en



last modified:

21.03.2016