

SIDE MOUNTED ROTARY OPERATOR STANDARD  
IEC IP65 ACCESSORY FOR: 3VA2 400/630



Model		
product brand name		SENTRON
Design of handle		Gray
Protection class IP		IP65
Product details		
Product component / axis extension		Yes
Product feature / lockable		Yes
Accessories		
accessories		Side panel rotary operating mechanism
Height	mm	93.5
General Product Approval	Declaration of Conformity	other



[sonstig](#)

## Further information

### Information- and Downloadcenter (Catalogs, Brochures,...)

<http://www.siemens.com/lowvoltage/catalogs>

### Industry Mall (Online ordering system)

<https://eb.automation.siemens.com/mall/en/WW/Catalog/Product/3VA94670PK11>

### Service&Support (Manuals, Certificates, Characteristics, FAQs,...)

<http://support.automation.siemens.com/WW/view/en/3VA94670PK11/all>

### Image database (product images, 2D dimension drawings, 3D models, device circuit diagrams, ...)

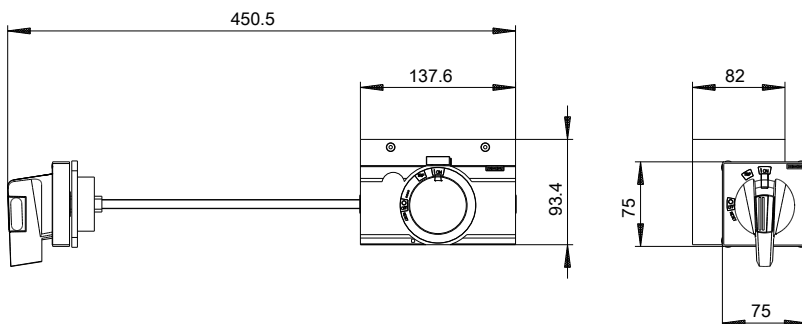
[http://www.automation.siemens.com/bilddb/cax\\_en.aspx?mfb=3VA94670PK11](http://www.automation.siemens.com/bilddb/cax_en.aspx?mfb=3VA94670PK11)

### CAX-Online-Generator

<http://www.siemens.com/cax>

### Tender specifications

<http://ausschreibungstexte.siemens.com/tiplv>



**last modified:**

12.04.2016