

FI/LS-PROTECTOR TYPE A (PSE/SSF), D=70MM IFN
10MA, 10KA, 1+N-POLEE B 6A



Figure similar

Model		
product brand name		SENTRON
Product designation		RCBO
Design of the product		Instantaneous
General technical data		
Number of poles		2
Number of poles / Note		1P+N
Number of poles / with protection		1
Tripping characteristic class		B
circuit-breaker / Design		5SU1
Mechanical service life (switching cycles) / typical		10 000
Overvoltage category		III
Voltage		
Surge current resistance / at (8/20) μ s	kA	1
Supply voltage		
Supply voltage		
• at AC / rated value	V	230
• for testing equipment / minimum	V	100

Supply voltage frequency / rated value	Hz	50
Protection class		
Protection class IP		IP20, if the distribution board is installed, with connected conductors
Energy limiting class		3
Switching capacity		
Switching capacity current		
• acc. to EN 60898 / rated value	kA	10
• acc. to IEC 60947-2 / rated value	kA	15
Dissipation		
Power loss [W]		
• for rated value of the current / at AC / in hot operating state / per pole	W	2.8
• maximum	W	5.6
Electricity		
Tripping residual current / rated value	mA	10
rated current I _n / IEC, DIN/VDE / at 40 Cel	A	5.7
Type of fault current-protection device		A
Current / at AC / rated value	A	6
Product details		
Product feature / Touch protection		Yes
Product feature		
• halogen-free		Yes
• silicon-free		Yes
Product function		
Product function / neutral conductor switching		Yes
Number		
Number of test cycles / for environmental testing / acc. to IEC 60068-2-30		26
Connections		
Connectable conductor cross-section / stranded		
• minimum	mm ²	0.75
• maximum	mm ²	35
Connectable conductor cross-section		
• solid		
— minimum	mm ²	0.75
— maximum	mm ²	35
• finely stranded / with core end processing		
— minimum	mm ²	0.75
— maximum	mm ²	25

Tightening torque / with screw-type terminals	• minimum	N·m	2.5
	• maximum	N·m	3
	Position / of power supply cord		Either top or bottom

Mechanical Design

Height	mm	90
Width	mm	36
Depth	mm	77
Mounting position		any
Installation depth	mm	70
Number of width units		2
Net weight	g	278

Environmental conditions

Influence of the surrounding temperature		Max. 95% humidity
Ambient temperature		
• minimum	°C	-25
• maximum	°C	55
• during storage / minimum	°C	-40
• during storage / maximum	°C	75

Certificates

Equipment marking		
• acc. to DIN EN 61346-2		F
• acc. to DIN EN 81346-2		F

General Product Approval



CCC



IMQ



ÖVE



VDE

[sonstig](#)



Declaration of Conformity



EG-Konf.

Further information

Information- and Downloadcenter (Catalogs, Brochures,...)

<http://www.siemens.com/lowvoltage/catalogs>

Industry Mall (Online ordering system)

<https://eb.automation.siemens.com/mall/en/WW/Catalog/Product/5SU11546KK06>

Service&Support (Manuals, Certificates, Characteristics, FAQs,...)

<http://support.automation.siemens.com/WW/view/en/5SU11546KK06/all>

Image database (product images, 2D dimension drawings, 3D models, device circuit diagrams, ...)

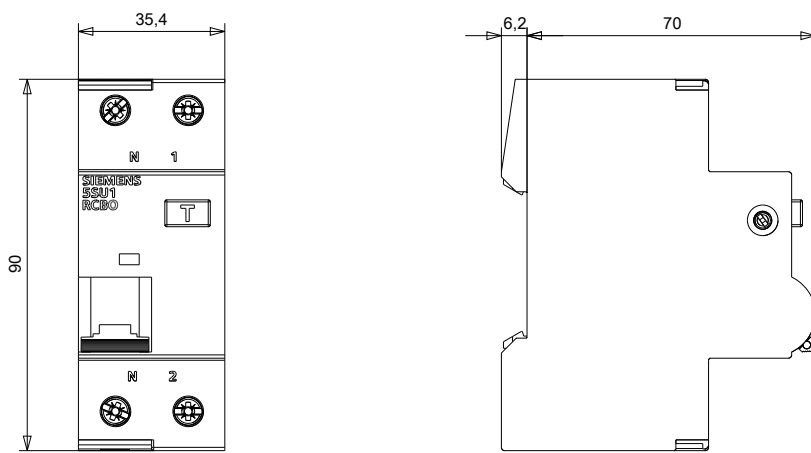
http://www.automation.siemens.com/bilddb/cax_en.aspx?mlfb=5SU11546KK06

CAx-Online-Generator

<http://www.siemens.com/cax>

Tender specifications

<http://ausschreibungstexte.siemens.com/tiplv>



last modified:

22.03.2016