

SOLENOID, RECTANGULAR SMALL 25 X 36MM FOR MAGN.-OP. SWITCH 3SE66...-3CA0., POSITION: SOLENOID AND CONTACT BLOCK ON THE SAME MOUNTING SURFACE



Figure similar

Product designation	magnetically operated switch, switching magnet
General technical data:	
Protection class IP	IP67
Height of the sensor	36 mm
Length of the sensor	13 mm
Width of the sensor	26 mm
Enclosure:	
Material of the enclosure	plastic
Ambient conditions:	
Ambient temperature	
• during operation	-25 ... +70 °C
• during storage and transport	-25 ... +70 °C
Installation/ mounting/ dimensions:	
Mounting type	screw fixing
Certificates/approvals	



Further information

Information- and Downloadcenter (Catalogs, Brochures,...)

<http://www.siemens.com/industrial-controls/catalogs>

Industry Mall (Online ordering system)

<https://mall.industry.siemens.com/mall/en/en/Catalog/product?mfb=3SE67143CA>

Cax online generator

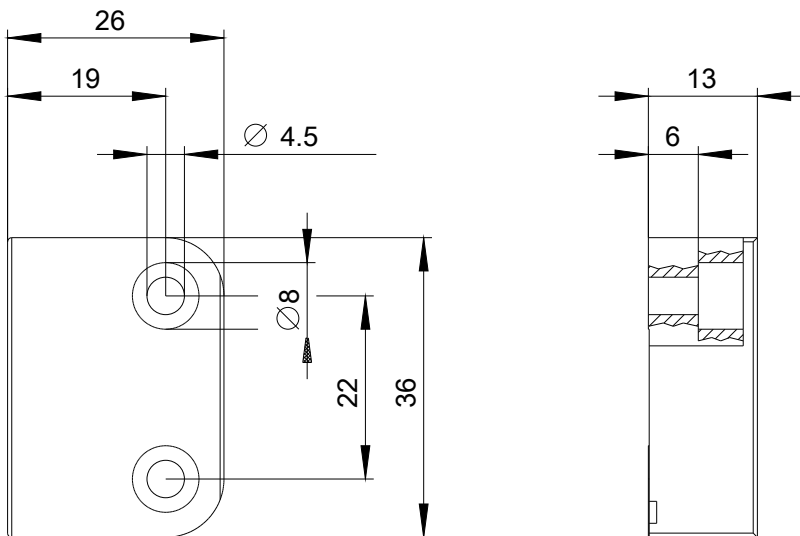
<http://support.automation.siemens.com/WW/CAXorder/default.aspx?lang=en&mfb=3SE67143CA>

Service&Support (Manuals, Certificates, Characteristics, FAQs,...)

<https://support.industry.siemens.com/cs/ww/en/ps/3SE67143CA>

Image database (product images, 2D dimension drawings, 3D models, device circuit diagrams, EPLAN macros, ...)

http://www.automation.siemens.com/bilddb/cax_de.aspx?mfb=3SE67143CA&lang=en



last modified:

07.12.2015