

TWIN PUSHBUTTON, 22MM, ROUND, METAL, SHINY, WHITE:
ARROW TO THE LEFT, WHITE: ARROW TO THE RIGHT, FLAT
BUTTONS



Figure similar

product brand name	SIRIUS ACT
Product designation	Commanding and signaling devices
Design of the product	Twin pushbutton
Enclosure:	
Number of command points	1
Actuator:	
Design of the operating mechanism	Twin pushbutton, flat, flat
Manner of function of the actuating element	Momentary contact type
Product expansion optional Light source	No
Color	
• of the actuating element	White / white
Material of the actuating element	plastic
Shape of the actuating element	oval
Marking of the actuating element	Arrow to the left, arrow to the right
Type of unlocking device	without
Front ring:	
Product component front ring	Yes
Design of the front ring	Standard

Material of the front ring	Metal, high gloss
Color of the front ring	silver

General technical data:

Protection class IP	IP66, IP67, IP69(IP69K)
Degree of protection NEMA rating	NEMA 1, 2, 3, 3R, 4, 4X
Shock resistance	Sinusoidal half-wave 50 g / 11 ms
<ul style="list-style-type: none"> • acc. to IEC 60068-2-27 	
Vibration resistance	10 ... 500 Hz: 5g
<ul style="list-style-type: none"> • acc. to IEC 60068-2-6 	
Operating frequency maximum	3 600 1/h
Mechanical service life (switching cycles)	2 000 000
<ul style="list-style-type: none"> • typical 	
Equipment marking	S
<ul style="list-style-type: none"> • acc. to DIN EN 61346-2 	
<ul style="list-style-type: none"> • acc. to DIN EN 81346-2 	S





Ambient conditions:

Ambient temperature	-25 ... +70 °C
<ul style="list-style-type: none"> • during operation 	
<ul style="list-style-type: none"> • during storage 	-40 ... +80 °C

Installation/ mounting/ dimensions:

Height	57.9 mm
Width	29.9 mm
Shape of the installation opening	round
Mounting diameter	22.3 mm
Mounting height	14.4 mm
Installation width	29.9 mm
Installation depth	25.7 mm

Certificates/approvals

General Product Approval	For use in hazardous locations	Declaration of Conformity	other
 CSA	 UL	 EAC	Herstellereklärung  EG-Konf.
			Bestätigungen

Further information

Information- and Downloadcenter (Catalogs, Brochures,...)

<http://www.siemens.com/industrial-controls/catalogs>

Industry Mall (Online ordering system)

<https://mall.industry.siemens.com/mall/en/en/Catalog/product?mlfb=3SU10503AB660AM0>

Cax online generator

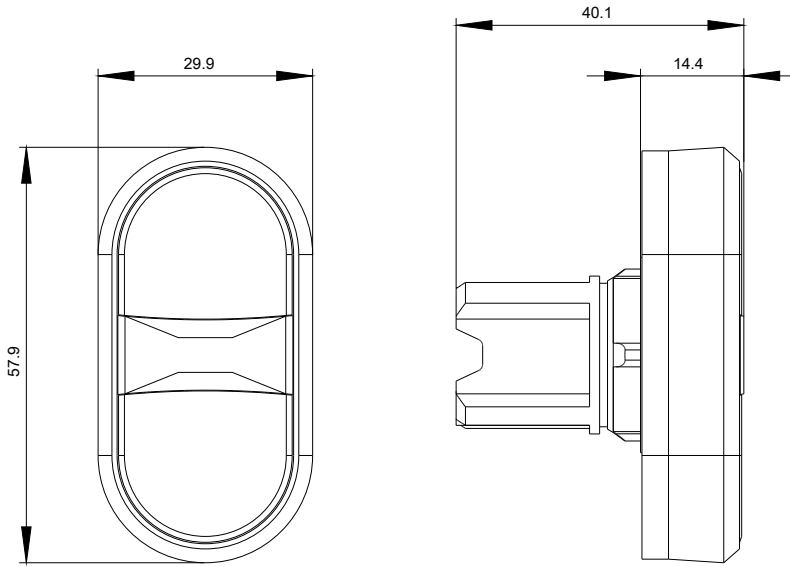
<http://support.automation.siemens.com/WW/CAXorder/default.aspx?lang=en&mlfb=3SU10503AB660AM0>

Service&Support (Manuals, Certificates, Characteristics, FAQs,...)

<https://support.industry.siemens.com/cs/ww/en/ps/3SU10503AB660AM0>

Image database (product images, 2D dimension drawings, 3D models, device circuit diagrams, EPLAN macros, ...)

http://www.automation.siemens.com/bilddb/cax_de.aspx?mlfb=3SU10503AB660AM0&lang=en



last modified:

13.02.2016