

FEED-THROUGH TERMINAL WITH SPRING CONNECTION, 4 CONNECT. POINTS SECTION: 0.08 - 2.5 MM², WIDTH: 5.2 MM, COLOR: GRAY

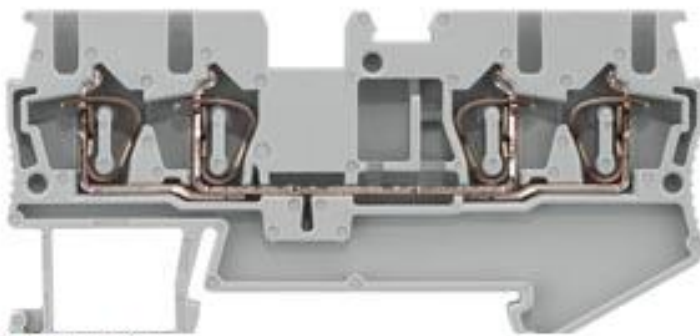


Figure similar

Model		
Design of terminal / Terminal levels internally linked		No
General technical data		
Terminal contact spacing	mm	5.2
Protection class		
Combustibility class acc. to UL 94		V0
Main circuit		
Operating voltage / rated value	V	800
Operating current / rated value	A	28
Appearance		
Color		grey
Product details		
Product component / required / connection plate		No
Number		
Number of terminal levels		1
Number of terminal points / per terminal level		4

Connections

Connectable conductor cross-section / stranded		
• minimum	mm ²	4
• maximum	mm ²	4
Connectable conductor cross-section		
• solid		
— minimum	mm ²	4
— maximum	mm ²	4
• finely stranded		
— with core end processing / minimum	mm ²	2.5
— with core end processing / maximum	mm ²	2.5
— without core end processing / minimum	mm ²	2.5
— without core end processing / maximum	mm ²	2.5
Type of electrical connection		
• 1		spring-loaded terminal
• 2		spring-loaded terminal
Position / of the terminal		top

Mechanical Design

Mounting type		DIN rail 35 mm
Net weight	g	9.5
Material / of the insulating body		Other

Environmental conditions

Ambient temperature		
• during operation / minimum	°C	-25
• during operation / maximum	°C	55

Certificates

Design tested acc. to type of protection / EEx e		No
General Product Approval	Declaration of Conformity	Shipping Approval



UL

EG-Konf.

GL

Further information

Information- and Downloadcenter (Catalogs, Brochures,...)

<http://www.siemens.com/lowvoltage/catalogs>

Industry Mall (Online ordering system)

<https://eb.automation.siemens.com/mall/en/WW/Catalog/Product/8WH20040AF00>

Service&Support (Manuals, Certificates, Characteristics, FAQs,...)

<http://support.automation.siemens.com/WW/view/en/8WH20040AF00/all>

Image database (product images, 2D dimension drawings, 3D models, device circuit diagrams, ...)

http://www.automation.siemens.com/bilddb/cax_en.aspx?mlfb=8WH20040AF00

CAX-Online-Generator

<http://www.siemens.com/cax>

Tender specifications

<http://ausschreibungstexte.siemens.com/tiplv>

last modified:

02.02.2016