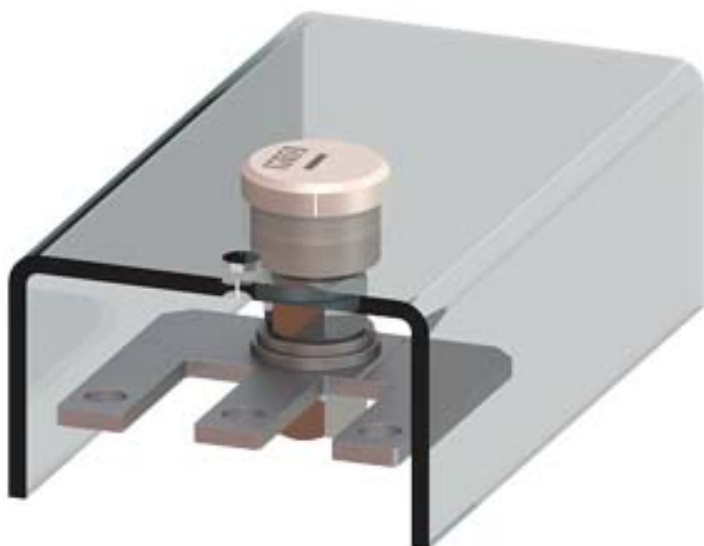


PARALLEL CONNECTION WITH TERMINAL, 3-POLE  
FOR 3RT104.



General technical data:

product brand name	SIRIUS
Product designation	Infeed terminal
Design of the product	Parallel switching connection for contactors S3

Certificates/ approvals:

General Product Approval	Declaration of Conformity	Test Certificates	Shipping Approval
--------------------------	---------------------------	-------------------	-------------------



spezielle Prüfbescheinigung  
n



GL

Shipping Approval	other
-------------------	-------



PRS



RINA

Umweltbestätigung

Bestätigungen

sonstig

### Further information

**Information- and Downloadcenter (Catalogs, Brochures,...)**

<http://www.siemens.com/industrial-controls/catalogs>

**Industry Mall (Online ordering system)**

<http://www.siemens.com/industrymall>

**Cax online generator**

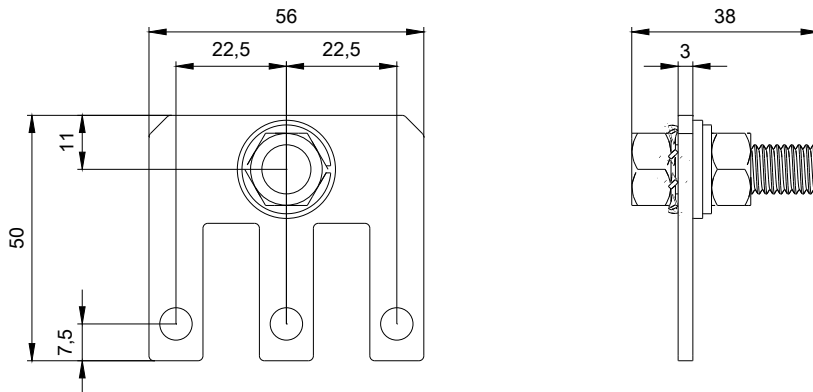
<http://support.automation.siemens.com/WW/CAXorder/default.aspx?lang=en&mfb=3RT19464BB31>

**Service&Support (Manuals, Certificates, Characteristics, FAQs,...)**

<https://support.industry.siemens.com/cs/ww/en/ps/3RT19464BB31>

**Image database (product images, 2D dimension drawings, 3D models, device circuit diagrams, EPLAN macros, ...)**

[http://www.automation.siemens.com/bilddb/cax\\_de.aspx?mfb=3RT19464BB31&lang=en](http://www.automation.siemens.com/bilddb/cax_de.aspx?mfb=3RT19464BB31&lang=en)



SIEMENS

last modified:

13.08.2015