

COMPACT SWITCH 30MM WIDE W. CONNECTING CABLE 2M
SNAP-ACTION CONTACTS 1NO+1NC TWIST LEVER



Product designation	compact switch
General technical data:	
Product function	
• positive opening	Yes
Insulation voltage	
• Rated value	400 V
Surge voltage resistance Rated value	4 kV
Protection class IP	IP67
Degree of pollution	3
Vibration resistance	
• acc. to IEC 60068-2-6	0.35 mm/5g
Mechanical service life (switching cycles)	
• typical	5 000 000
Electrical endurance (switching cycles)	
• at AC-15 at 230 V typical	100 000
Electrical endurance (switching cycles) with contactor 3RH11, 3RT1016, 3RT1017, 3RT1024, 3RT1025, 3RT1026 typical	500 000

Electrical operating cycles in one hour with contactor 3RH11, 3RT1016, 3RT1017, 3RT1024, 3RT1025, 3RT1026	1 800
Thermal current	10 A
Material of the enclosure of the switch head	metal
Equipment marking <ul style="list-style-type: none"> • acc. to DIN EN 61346-2 • acc. to DIN EN 81346-2 	B B
Active principle	mechanical
Repeat accuracy	0.05 mm
Minimum actuating torque in activation direction	0.2 N·m

Enclosure:

Design of the housing	block
Material of the enclosure	metal
Coating of the enclosure	painted
Design of the housing acc. to standard	No
Material of cable sheath	PVC

Drive Head:

Design of the operating mechanism	twist lever
Shape of the switch head	lever
Design of the switching function	snap-action contact

Connections/ Terminals:

Type of electrical connection	cable connection 5m x 0.75 mm ² PVC
-------------------------------	--

Communication/ Protocol:

Design of the interface	without
-------------------------	---------

Ambient conditions:

Ambient temperature <ul style="list-style-type: none"> • during operation • during storage 	-25 ... +85 °C -25 ... +85 °C
--	----------------------------------

Installation/ mounting/ dimensions:

mounting position	any
Mounting type	screw fixing

Certificates/ approvals:

General Product Approval	Declaration of Conformity	other
--------------------------	---------------------------	-------



CCC



UL



EG-Konf.

[Bestätigungen](#)

Further information

Information- and Downloadcenter (Catalogs, Brochures,...)

<http://www.siemens.com/industrial-controls/catalogs>

Industry Mall (Online ordering system)

<https://mall.industry.siemens.com/mall/en/en/Catalog/product?mfb=3SE54130CN201EA2>

Cax online generator

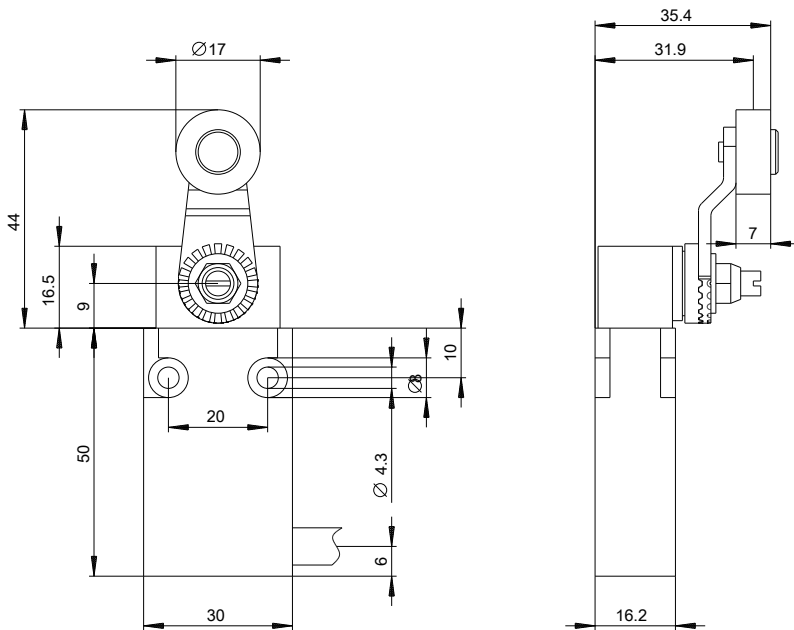
<http://support.automation.siemens.com/WW/CAXorder/default.aspx?lang=en&mfb=3SE54130CN201EA2>

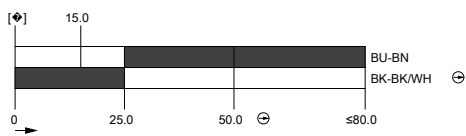
Service&Support (Manuals, Certificates, Characteristics, FAQs,...)

<https://support.industry.siemens.com/cs/ww/en/ps/3SE54130CN201EA2>

Image database (product images, 2D dimension drawings, 3D models, device circuit diagrams, EPLAN macros, ...)

http://www.automation.siemens.com/bilddb/cax_de.aspx?mfb=3SE54130CN201EA2&lang=en





last modified:

26.10.2015