

SIRIUS POSITION SWITCH METAL ENCLOSURE 56MM WIDE  
 DEVICE CONNECTION 3X (M20X1.5) 1NO/ 2NC SNAP-ACTION  
 CONTACTS METAL ROLLER LEVER AND PLASTIC ROLLER  
 22MM



<b>Product designation</b>	standard position switch
<b>Manufacturer article number</b>	
<ul style="list-style-type: none"> <li>• of the supplied basic switch</li> </ul>	<a href="#">3SE5122-0LA00</a>
<ul style="list-style-type: none"> <li>• of the supplied actuator head for position switches</li> </ul>	<a href="#">3SE5000-0AE01</a>
<ul style="list-style-type: none"> <li>• of the supplied switching contacts</li> </ul>	<a href="#">3SE5000-0LA00</a>
<ul style="list-style-type: none"> <li>• of the supplied empty enclosure with cover</li> </ul>	<a href="#">3SE5122-0AA00</a>

General technical data:	
<b>Product function</b>	
<ul style="list-style-type: none"> <li>• positive opening</li> </ul>	Yes
<b>Insulation voltage</b>	
<ul style="list-style-type: none"> <li>• Rated value</li> </ul>	400 V
<b>Surge voltage resistance Rated value</b>	6 kV
<b>Protection class IP</b>	IP66/IP67
<b>Degree of pollution</b>	class 3
<b>Shock resistance</b>	
<ul style="list-style-type: none"> <li>• acc. to IEC 60068-2-27</li> </ul>	30 g / 11 ms
<b>Vibration resistance</b>	
<ul style="list-style-type: none"> <li>• acc. to IEC 60068-2-6</li> </ul>	0.35 mm/5g

Switching capacity apparent power	5 V DC, 1 mA
Mechanical service life (switching cycles)	
• typical	15 000 000
Electrical endurance (switching cycles)	
• at AC-15 at 230 V typical	100 000
Electrical endurance (switching cycles) with contactor 3RH11, 3RT1016, 3RT1017, 3RT1024, 3RT1025, 3RT1026 typical	10 000 000
Electrical operating cycles in one hour with contactor 3RH11, 3RT1016, 3RT1017, 3RT1024, 3RT1025, 3RT1026	6 000
Thermal current	6 A
Material of the enclosure of the switch head	metal
Equipment marking	
• acc. to DIN EN 61346-2	B
• acc. to DIN EN 81346-2	B
Continuous current of the C characteristic MCB	1 A; for a short-circuit current smaller than 400 A
Continuous current of the quick DIAZED fuse link	10 A; for a short-circuit current smaller than 400 A
Continuous current of the slow DIAZED fuse link	6 A
Active principle	mechanical
Repeat accuracy	0.05 mm
Explosion protection category for dust	none
Explosion protection category for gas	none
Minimum actuating force in activation direction	10 N
Operating current at AC-15	
• at 24 V Rated value	6 A
• at 125 V Rated value	6 A
• at 230 V Rated value	1.5 A
• at 400 V Rated value	4 A
Operating current at DC-13	
• at 24 V Rated value	3 A
• at 125 V Rated value	0.55 A
• at 230 V Rated value	0.27 A

#### Enclosure:

Design of the housing	block, wide
Material of the enclosure	metal
Coating of the enclosure	cathodic immersion coating
Design of the housing acc. to standard	No

#### Drive Head:

Design of the operating mechanism	metal lever, plastic roller
Standard-compliant actuator head	EN 50041
Shape of the switch head	roller
Design of the switching function	positive opening

### Connections/ Terminals:

Type of electrical connection	screw-type terminals
-------------------------------	----------------------

### Mechanical data:

Cable entry type	3 x (M20 x 1.5)
------------------	-----------------

### Communication/ Protocol:

Design of the interface	without
-------------------------	---------

### Ambient conditions:

Ambient temperature	
• during operation	-25 ... +85 °C
• during storage	-40 ... +90 °C

### Installation/ mounting/ dimensions:

mounting position	any
Mounting type	screw fixing

### Certificates/ approvals:

General Product Approval	Functional Safety/Safety of Machinery	Declaration of Conformity
--------------------------	---------------------------------------	---------------------------



[Baumusterprüfbescheinigung](#)



EG-Konf.

Test Certificates	other
-------------------	-------

[spezielle Prüfbescheinigungen](#)

[Bestätigungen](#)

### Further information

#### Information- and Downloadcenter (Catalogs, Brochures,...)

<http://www.siemens.com/industrial-controls/catalogs>

#### Industry Mall (Online ordering system)

<https://mall.industry.siemens.com/mall/en/en/Catalog/product?mlfb=3SE51220LE01>

#### Cax online generator

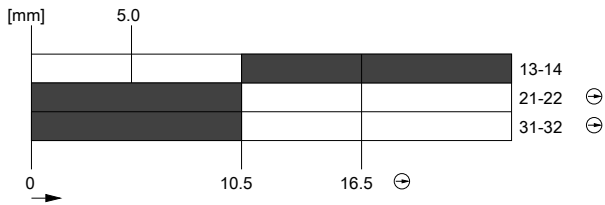
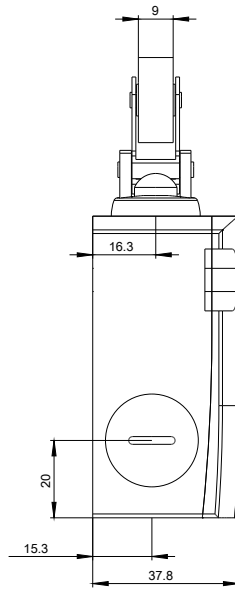
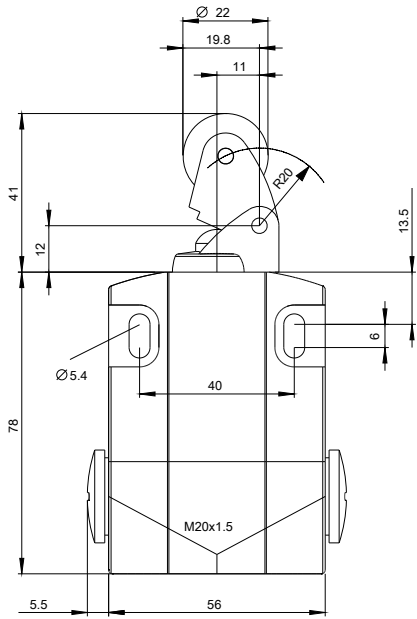
<http://support.automation.siemens.com/WW/CAXorder/default.aspx?lang=en&mlfb=3SE51220LE01>

#### Service&Support (Manuals, Certificates, Characteristics, FAQs,...)

<https://support.industry.siemens.com/cs/ww/en/ps/3SE51220LE01>

#### Image database (product images, 2D dimension drawings, 3D models, device circuit diagrams, EPLAN macros, ...)

[http://www.automation.siemens.com/bilddb/cax\\_de.aspx?mlfb=3SE51220LE01&lang=en](http://www.automation.siemens.com/bilddb/cax_de.aspx?mlfb=3SE51220LE01&lang=en)



last modified:

19.10.2015