

SUPPRESSION DIODE, DC 12...250 V, SURGE SUPPRESSOR, FOR MOUNTING ONTO CONTACTORS SIZES00



General technical data:

product brand name		SIRIUS
Product designation		surge suppressor
Design of the surge suppressor		with diode

Control circuit/ Control:

Type of voltage of the control supply voltage		DC
Control supply voltage 1		
• at DC		
— Initial rated value	V	12
— Final rated value	V	250

Certificates/ approvals:

General Product Approval			Functional Safety/Safety of Machinery	Declaration of Conformity	Test Certificates
--------------------------	--	--	---------------------------------------	---------------------------	-------------------



[Baumusterbescheinigung](#)



[spezielle Prüfbescheinigungen](#)

Shipping Approval



Shipping Approval	other
-------------------	-------



[Bestätigungen](#)

[sonstig](#)

[Umweltbestätigung](#)

Further information

Information- and Downloadcenter (Catalogs, Brochures,...)

<http://www.siemens.com/industrial-controls/catalogs>

Industry Mall (Online ordering system)

<http://www.siemens.com/industrymall>

Cax online generator

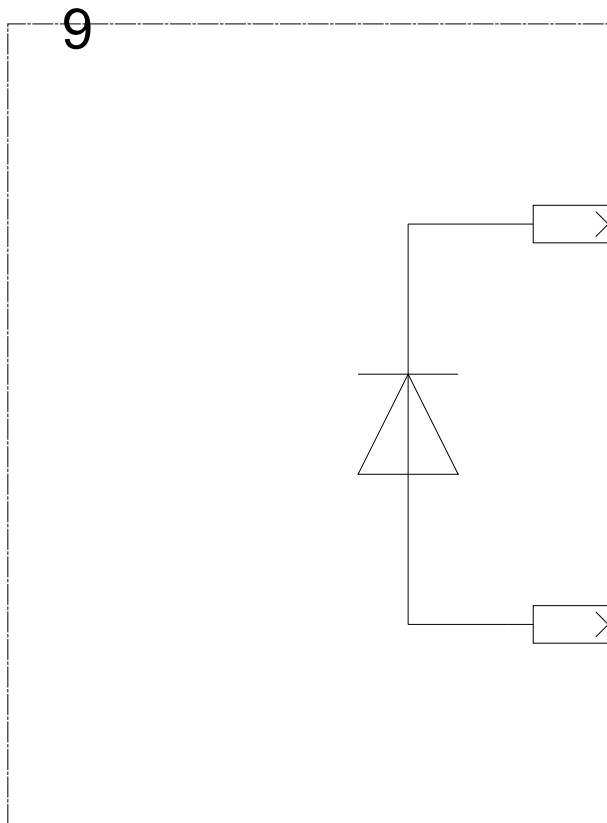
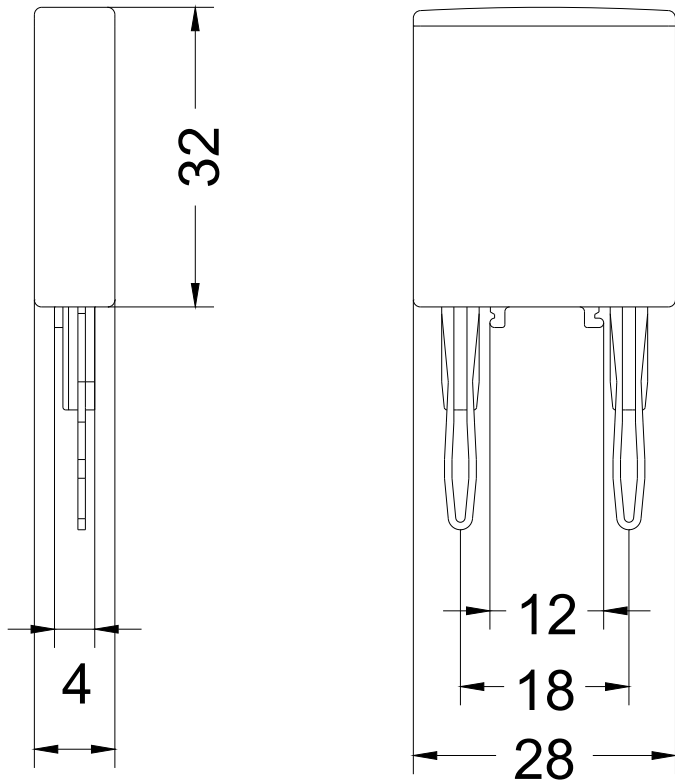
<http://support.automation.siemens.com/WW/CAXorder/default.aspx?lang=en&mlfb=3RT19161DG00>

Service&Support (Manuals, Certificates, Characteristics, FAQs,...)

<https://support.industry.siemens.com/cs/ww/en/ps/3RT19161DG00>

Image database (product images, 2D dimension drawings, 3D models, device circuit diagrams, EPLAN macros, ...)

http://www.automation.siemens.com/bilddb/cax_de.aspx?mlfb=3RT19161DG00&lang=en



last modified:

20.07.2015