

BUSBAR ADAPTER SYSTEM FEED-IN ADAPTER, 54MM WIDE 40MM SYSTEM, 5 + 10MM BUSBAR THICKNESS INCOMING CABLES AT BOTTOM 35MM<sup>2</sup> (80A) OUTPUT ON TOP 16MM<sup>2</sup> (32A) WITHOUT OUTPUT CABLE 1 SUPPORTING RAIL 35MM



Model

product brand name SENTRON

General Product Approval	Declaration of Conformity	Test Certificates	Shipping Approval
--------------------------	---------------------------	-------------------	-------------------



CSA



UR



EG-Konf.

[spezielle Prüfbescheinigung](#)  
n



PRS

Shipping Approval	other
-------------------	-------



RINA

[sonstig](#)

Further information

Information- and Downloadcenter (Catalogs, Brochures,...)  
<http://www.siemens.com/lowvoltage/catalogs>

**Industry Mall (Online ordering system)**

<https://eb.automation.siemens.com/mall/en/WW/Catalog/Product/8US10605AK00>

**Service&Support (Manuals, Certificates, Characteristics, FAQs,...)**

<http://support.automation.siemens.com/WW/view/en/8US10605AK00/all>

**Image database (product images, 2D dimension drawings, 3D models, device circuit diagrams, ...)**

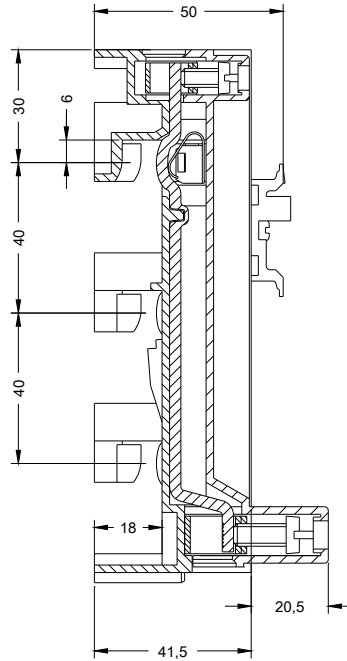
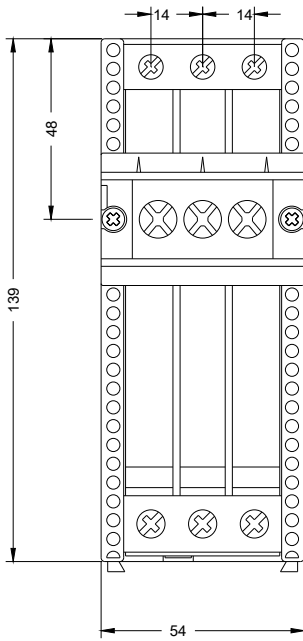
[http://www.automation.siemens.com/bilddb/cax\\_en.aspx?mlfb=8US10605AK00](http://www.automation.siemens.com/bilddb/cax_en.aspx?mlfb=8US10605AK00)

**CAX-Online-Generator**

<http://www.siemens.com/cax>

**Tender specifications**

<http://ausschreibungstexte.siemens.com/tiplv>



last modified:

25.08.2015