

WIRING KIT, SPRING-LOADED ELECTRICAL AND MECHANICAL, INCL. MECH. INTERLOCK, FOR REVERS. STARTERS, SIZE S00



General technical data:

product brand name		SIRIUS
Product designation		Mounting kit
Design of the product		Reversing contactor assembly S00, spring-loaded terminal
Size of contactor		S00

Installation/ mounting/ dimensions:

Mounting type		clip-on
---------------	--	---------

Certificates/ approvals:

General Product Approval	Declaration of Conformity	Shipping Approval
--------------------------	---------------------------	-------------------



Shipping Approval	other
-------------------	-------



GL



PRS



RINA

[Umweltbestätigung](#)

Further information

Information- and Downloadcenter (Catalogs, Brochures,...)

<http://www.siemens.com/industrial-controls/catalogs>

Industry Mall (Online ordering system)

<http://www.siemens.com/industrymall>

Cax online generator

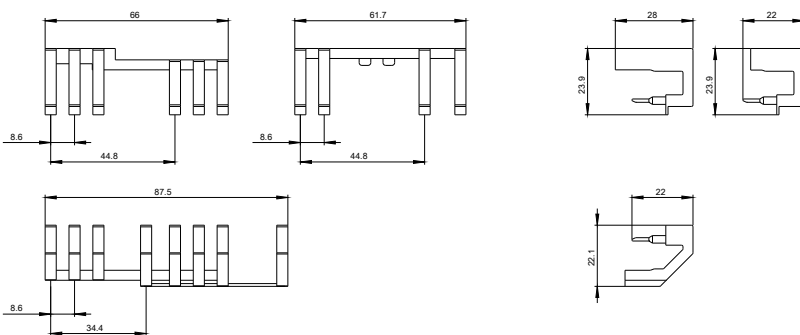
<http://support.automation.siemens.com/WW/CAXorder/default.aspx?lang=en&mlfb=3RA29132AA2>

Service&Support (Manuals, Certificates, Characteristics, FAQs,...)

<https://support.industry.siemens.com/cs/ww/en/ps/3RA29132AA2>

Image database (product images, 2D dimension drawings, 3D models, device circuit diagrams, EPLAN macros, ...)

http://www.automation.siemens.com/bilddb/cax_de.aspx?mlfb=3RA29132AA2&lang=en



last modified:

13.08.2015