

ROTARY OPERATOR WITH SHAFT STUB WITHOUT HANDLE FOR RETROFIT 8UC ACCESSORY FOR 3VA2 100/160/250



Model			
product brand name		SENTRON	
Product details			
Product component / axis extension		No	
Product property / lockable		Yes	
Accessories			
accessories		Direct rotary operating mechanism without handle	
Height	mm	80	
Net weight	g	300	
General Product Approval	EMC	Declaration of Conformity	other
	<a href="#">sonstig</a>		<a href="#">sonstig</a>



[sonstig](#)



[sonstig](#)

Further information

**Information- and Downloadcenter (Catalogs, Brochures,...)**

<http://www.siemens.com/lowvoltage/catalogs>

**Industry Mall (Online ordering system)**

<https://eb.automation.siemens.com/mall/en/WW/Catalog/Product/3VA92670GK00>

**Service&Support (Manuals, Certificates, Characteristics, FAQs,...)**

<http://support.automation.siemens.com/WW/view/en/3VA92670GK00/all>

**Image database (product images, 2D dimension drawings, 3D models, device circuit diagrams, ...)**

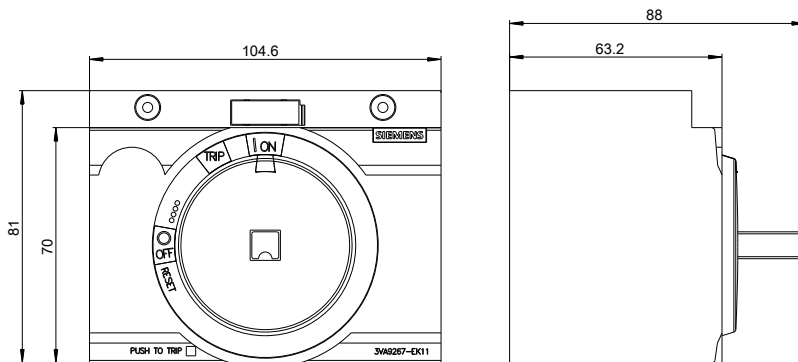
[http://www.automation.siemens.com/bilddb/cax\\_en.aspx?mfb=3VA92670GK00](http://www.automation.siemens.com/bilddb/cax_en.aspx?mfb=3VA92670GK00)

**CAX-Online-Generator**

<http://www.siemens.com/cax>

**Tender specifications**

<http://ausschreibungstexte.siemens.com/typ>



last modified:

29.07.2015