

RFID NON-CONTACT SAFETY SWITCH RECTANGULAR 25MM X 91MM, FAMILY-CODED WITH M12 CONNECTOR 8-POLE
 DELIVERY STATE: READY FOR OPERATION, ORDER ACTUATOR SEPARATELY 3SE6310-0BC01



Product designation	RFID safety switch
Design of the product	RFID safety cut-out switch
Suitability for use safety-related circuits	Yes

General technical data:

Product function	
• positive opening	No
• cross-circuit/short-circuit recognition	Yes
Product property	Family coded without magnet latching
Type of voltage of the operating voltage	DC
Shock resistance	
• acc. to IEC 60068-2-27	Sinusoidal half-wave 30g / 11 ms
Vibration resistance	
• acc. to IEC 60068-2-6	10 ... 55 Hz: 1 mm
Protection class IP	IP65, IP67, IP69k
Type of voltage	DC
Height of the sensor	22 mm
Length of the sensor	106 mm
Width of the sensor	25 mm
Material of the active sensor area	plastic

Mechanical installation condition for sensor	flush installation possible
Operating voltage Rated value	24 V
Operating current Rated value	600 mA

Enclosure:

Material of the enclosure	plastic
Material of cable sheath	PVC

Actuator:

Design of the operating mechanism	RFID
--	------

Contact:

Switching frequency	1 Hz
Operating distance	12 mm
Safe operating distance OFF	16 mm
Safe operating distance ON	10 mm
Design of the switching function	positive switching
Number of switching contacts for signaling function <ul style="list-style-type: none"> • safety-related 	1

Connections/ Terminals:

Type of electrical connection	connector M12
--------------------------------------	---------------

Safety related data:

Safety Integrity Level (SIL) acc. to IEC 61508	SIL3
Performance level (PL) acc. to EN ISO 13849-1	e
Category acc. to EN 954-1	4
Design of the interface for safety-related communication	connector M12

Ambient conditions:

Ambient temperature <ul style="list-style-type: none"> • during operation 	-25 ... +70 °C
---	----------------

Supply voltage:

Supply voltage	26.4 ... 20.4 V
-----------------------	-----------------

Inputs/ Outputs:

Output current	0.5 A
Output current at safety-related output maximum	0.25 A

Display:

Evaluation version required	yes
------------------------------------	-----

Installation/ mounting/ dimensions:

Mounting type	screw fixing
----------------------	--------------

Certificates/ approvals:

General Product Approval	Functional Safety/Safety of Machinery	Declaration of Conformity
--------------------------	---------------------------------------	---------------------------



[Baumusterprüfbescheinigung](#)



Further information

Information- and Downloadcenter (Catalogs, Brochures,...)

<http://www.siemens.com/industrial-controls/catalogs>

Industry Mall (Online ordering system)

<http://www.siemens.com/industrymall>

Cax online generator

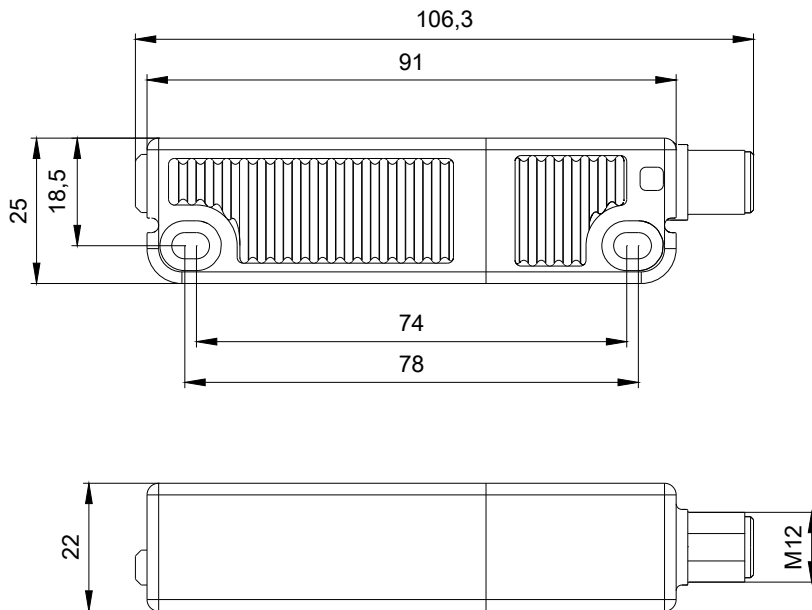
<http://support.automation.siemens.com/WW/CAXorder/default.aspx?lang=en&mfb=3SE63150BB01>

Service&Support (Manuals, Certificates, Characteristics, FAQs,...)

<https://support.industry.siemens.com/cs/ww/en/ps/3SE63150BB01>

Image database (product images, 2D dimension drawings, 3D models, device circuit diagrams, EPLAN macros, ...)

http://www.automation.siemens.com/bilddb/cax_de.aspx?mfb=3SE63150BB01&lang=en



last modified:

22.07.2015