



CAPACITOR SW. CONTACTOR, AC-6, 12.5KVAR/400V, 230V, 50/60HZ, 3-POLE, SIZE S00

General technical data:	
Protection class IP	IP20
Ambient conditions:	
Ambient temperature	
• during operation	-25 ... +60 °C
Main circuit:	
Number of NO contacts for main contacts	3
Number of NC contacts for main contacts	0
Operating current	
• at AC-1 at 400 V	
— Rated value	20 A
Control circuit/ Control:	
Type of voltage	AC
Control supply voltage with AC	
• at 50 Hz Rated value	230 ... 230 V
• at 60 Hz Rated value	230 ... 230 V
Supply voltage frequency for auxiliary and control current circuit Rated value	50 ... 60 Hz
Auxiliary circuit:	
Number of NC contacts	
• for auxiliary contacts	1
Number of NO contacts	
• for auxiliary contacts	1

Identification number and letter for switching elements	11
---	----

Installation/ mounting/ dimensions:

Mounting type	screw and snap-on mounting onto 35 mm standard mounting rail according to DIN EN 50022
<ul style="list-style-type: none"> • Side-by-side mounting 	Yes
Height	83 mm
Width	45 mm
Depth	110 mm

Connections/ Terminals:

Type of electrical connection	
<ul style="list-style-type: none"> • for main current circuit • for auxiliary and control current circuit 	<p>screw-type terminals</p> <p>screw-type terminals</p>


Certificates/ approvals:

General Product Approval	Functional Safety/Safety of Machinery	Declaration of Conformity
 CCC	 CSA	 UL
		 EG-Konf.
Type Examination		

Test Certificates	Shipping Approval
--------------------------	--------------------------

Special Test Certificate	 ABS	 DNV	 GL	 LRS	 RINA
--	--	--	---	--	---

Shipping Approval	other
--------------------------	--------------

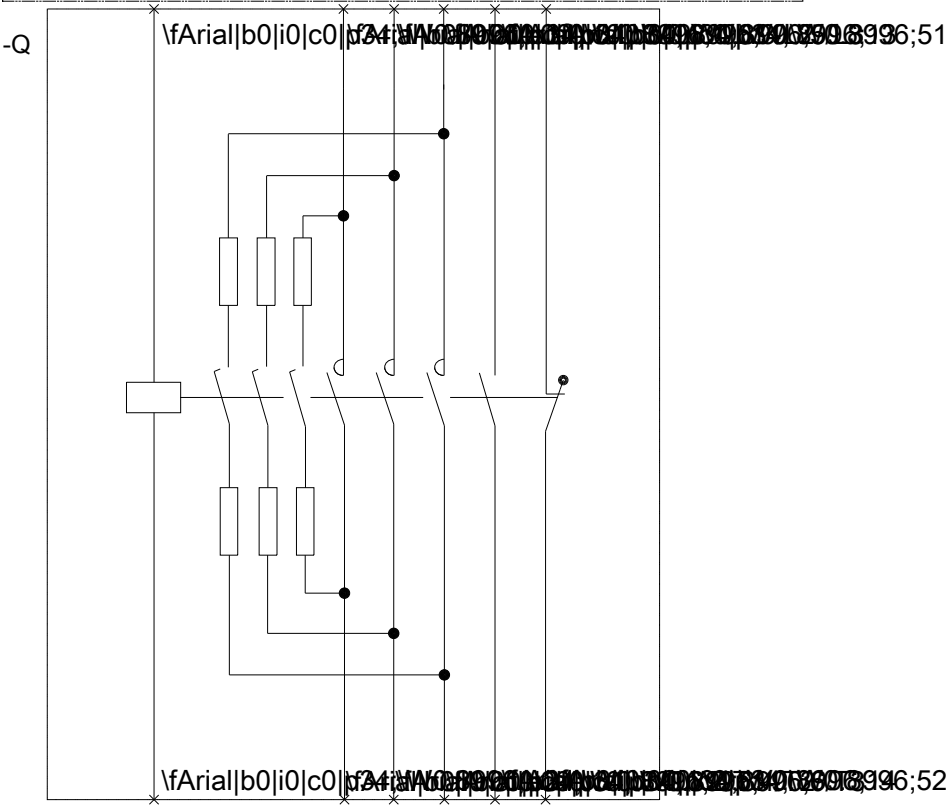
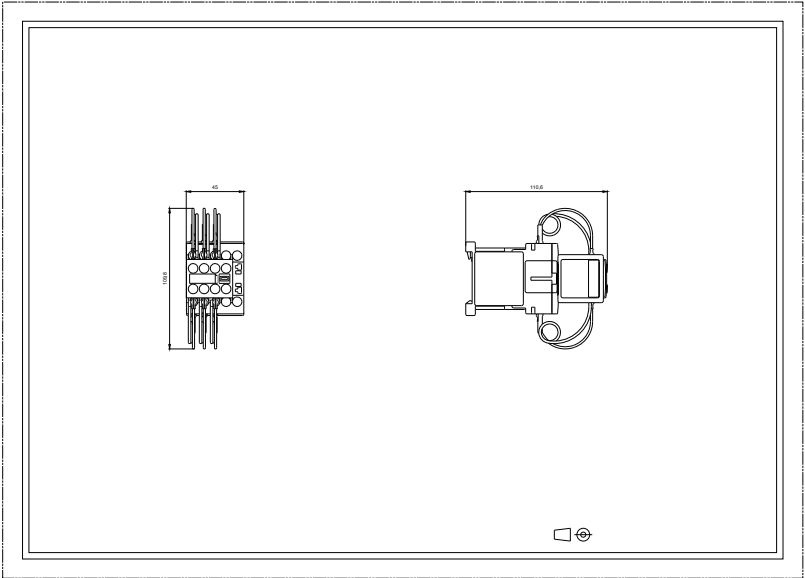
 RMRS	Confirmation	Environmental Confirmations	other
---	------------------------------	---	-----------------------

Further information

Information- and Downloadcenter (Catalogs, Brochures,...)
<http://www.siemens.com/industrial-controls/catalogs>

Industry Mall (Online ordering system)
<http://www.siemens.com/industrymall>

Cax online generator
<http://support.automation.siemens.com/WW/CAXorder/default.aspx?lang=en&mlfb=3RT16171AP03>



last modified:

16.06.2015